
Episode HT Series

Welcome to the documentation page for Episode HT in-room speakers.

Use the navigation to access our various installation guides.

Pro Tip: These docs get updated from time to time based on your feedback. To ensure you have the latest version, either clear your cache, or open this in a new incognito/privacy tab.

Build 230414

Install the HT-IRATM

Box Contents

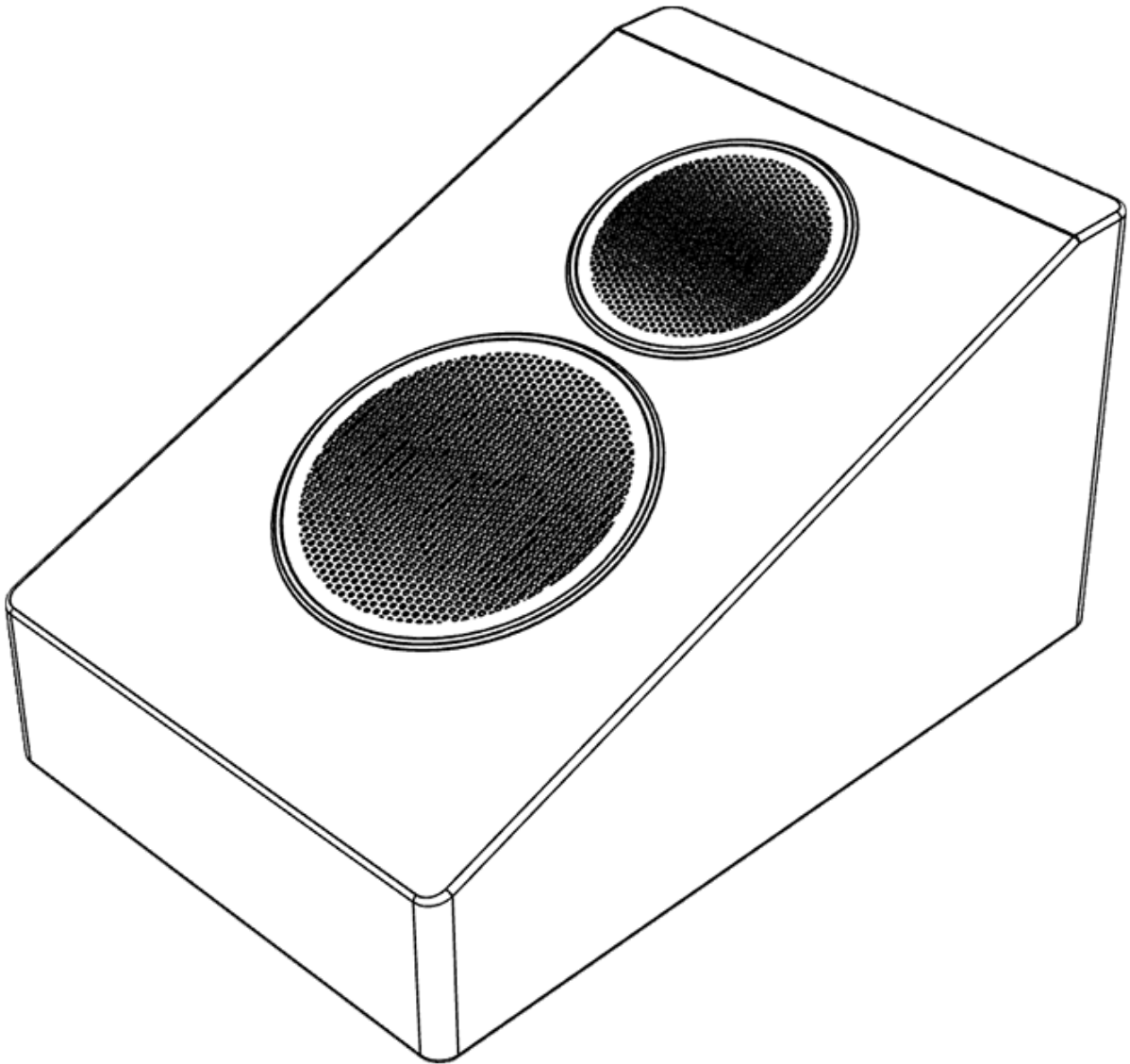
Your box should contain:

- speaker
- 2 × grilles
- 2 × screws
- 4 × small feet
- 4 × large feet
- 2 × mounting pins
- mounting bracket
- mounting pad
- locking bar

Ensure your mounting surface is able to hold three times the weight of the speaker.

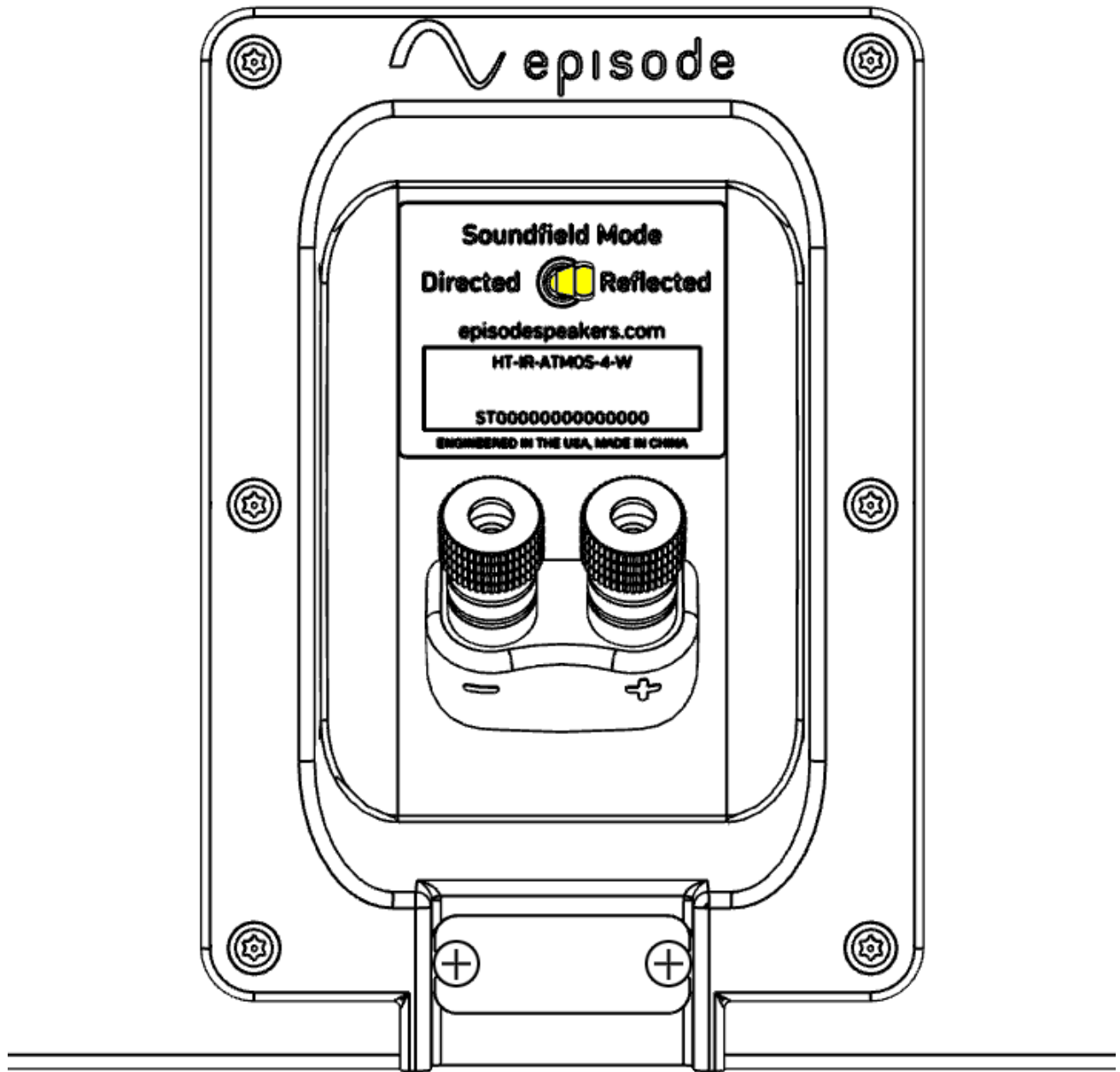
Attach the grilles

Place the magnetic grilles over the speakers for protection during the install.



Select the speaker mode

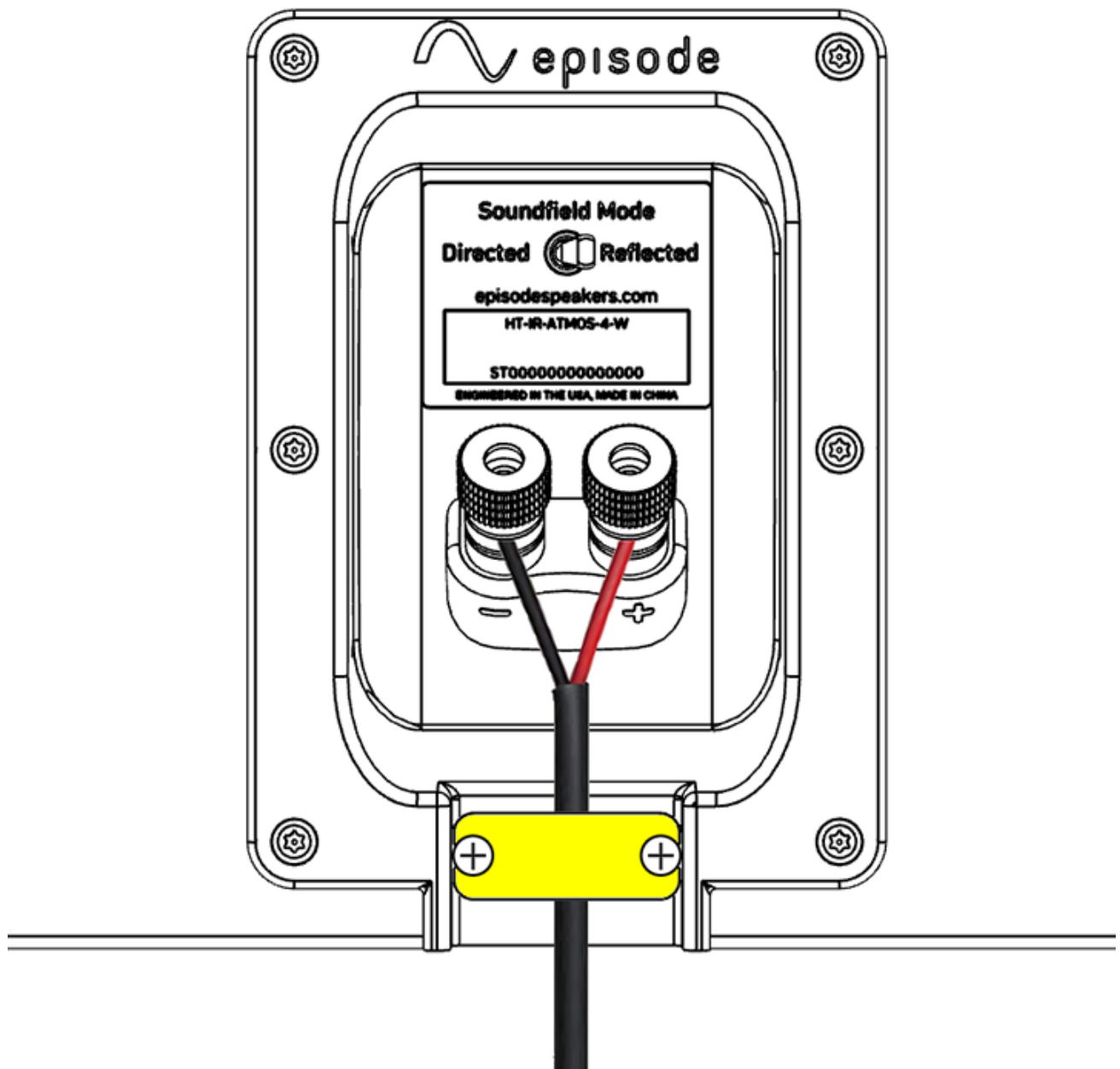
Flip the switch to designate whether the speaker is aimed at a wall or ceiling ("Reflected," right), or is aimed at the audience ("Directed," left).



Attach the wires

Run the wires beneath the stress relief bar as shown, and connect them to the speaker terminals.

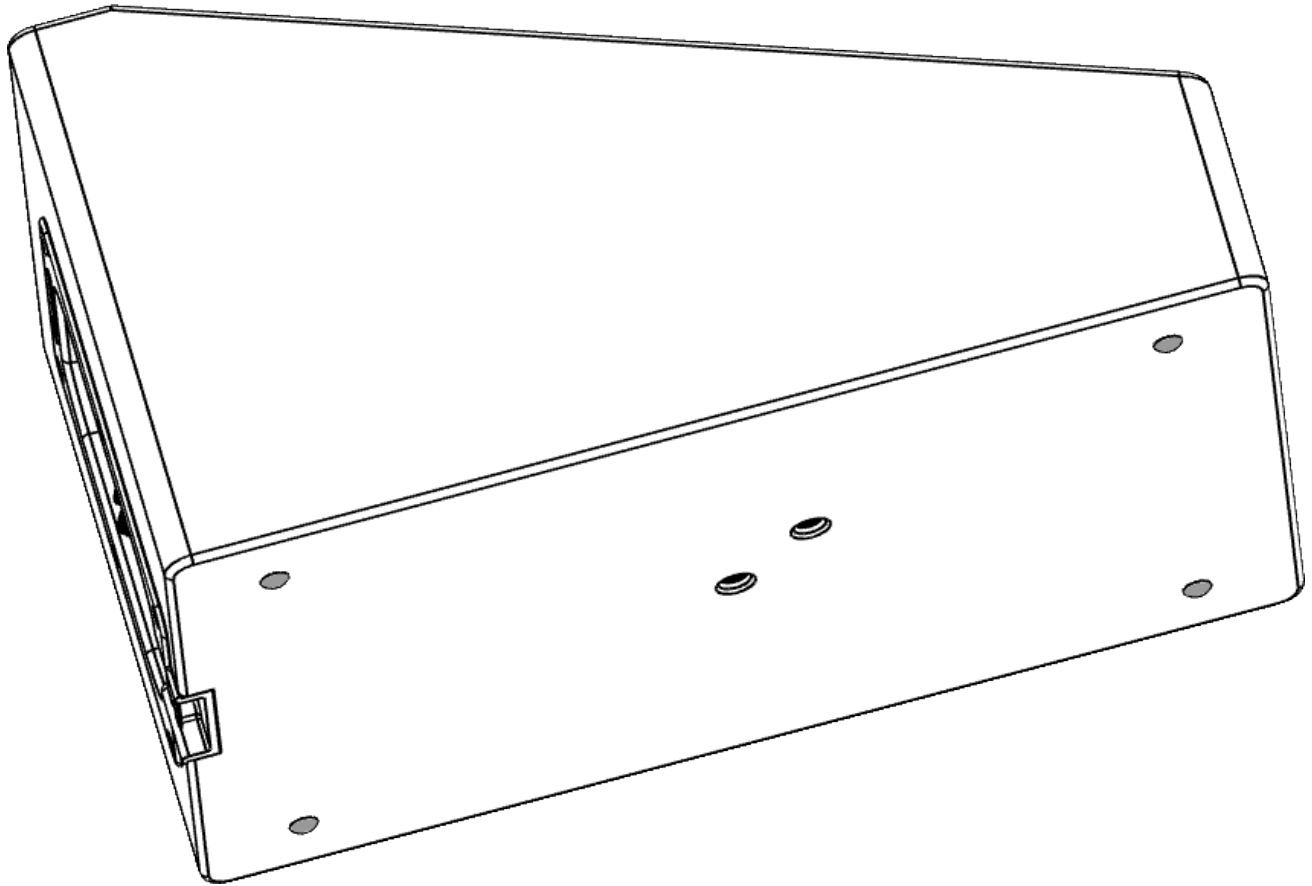
If your wires already have banana clips attached, you can loosen the screws holding the stress relief bar.



For standing installs...

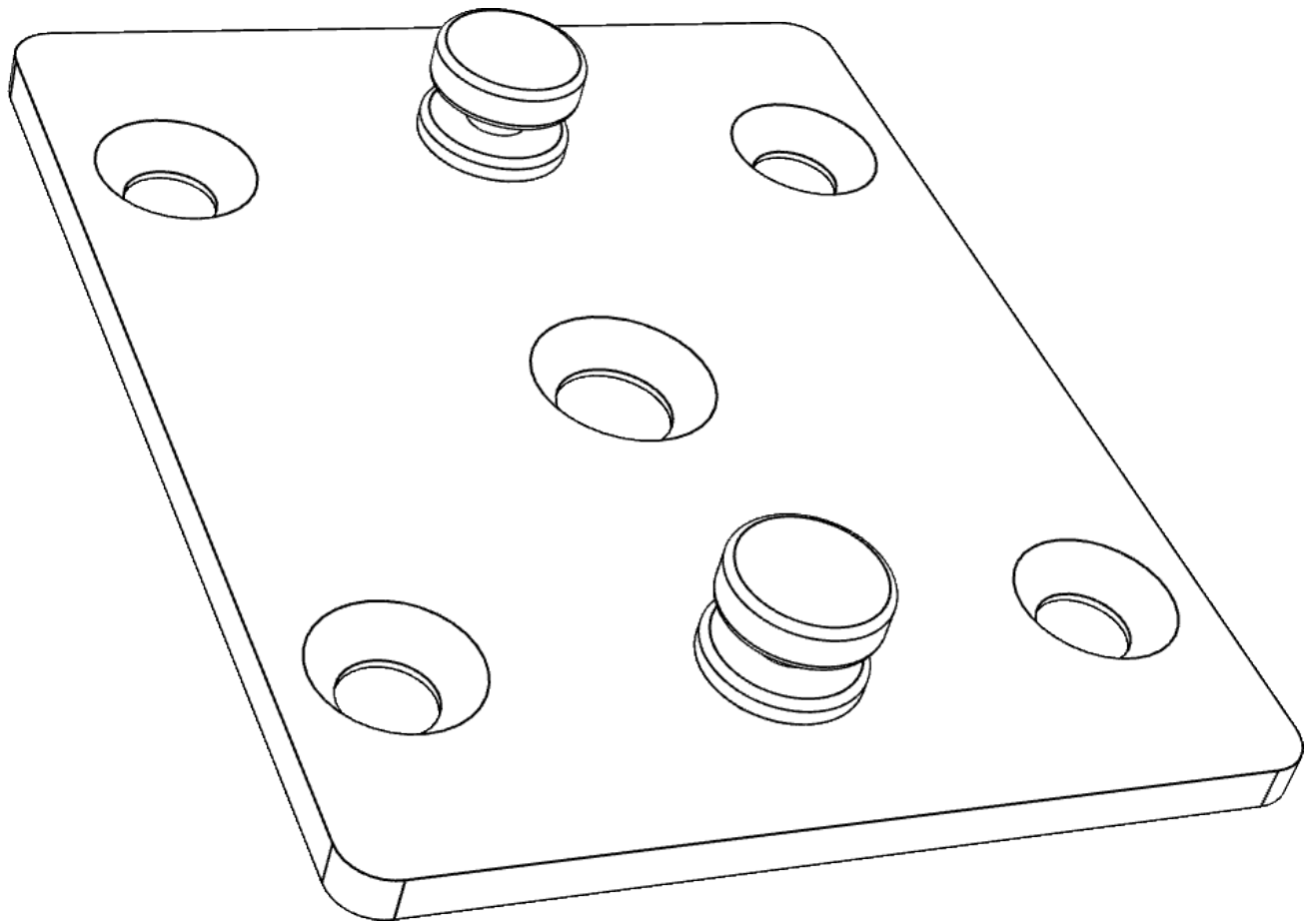
If you are installing this on a flat place like a bookshelf or on top of a floor-standing speaker, attach the four small adhesive feet. Set the speaker in place, and you're done!

Otherwise, continue.



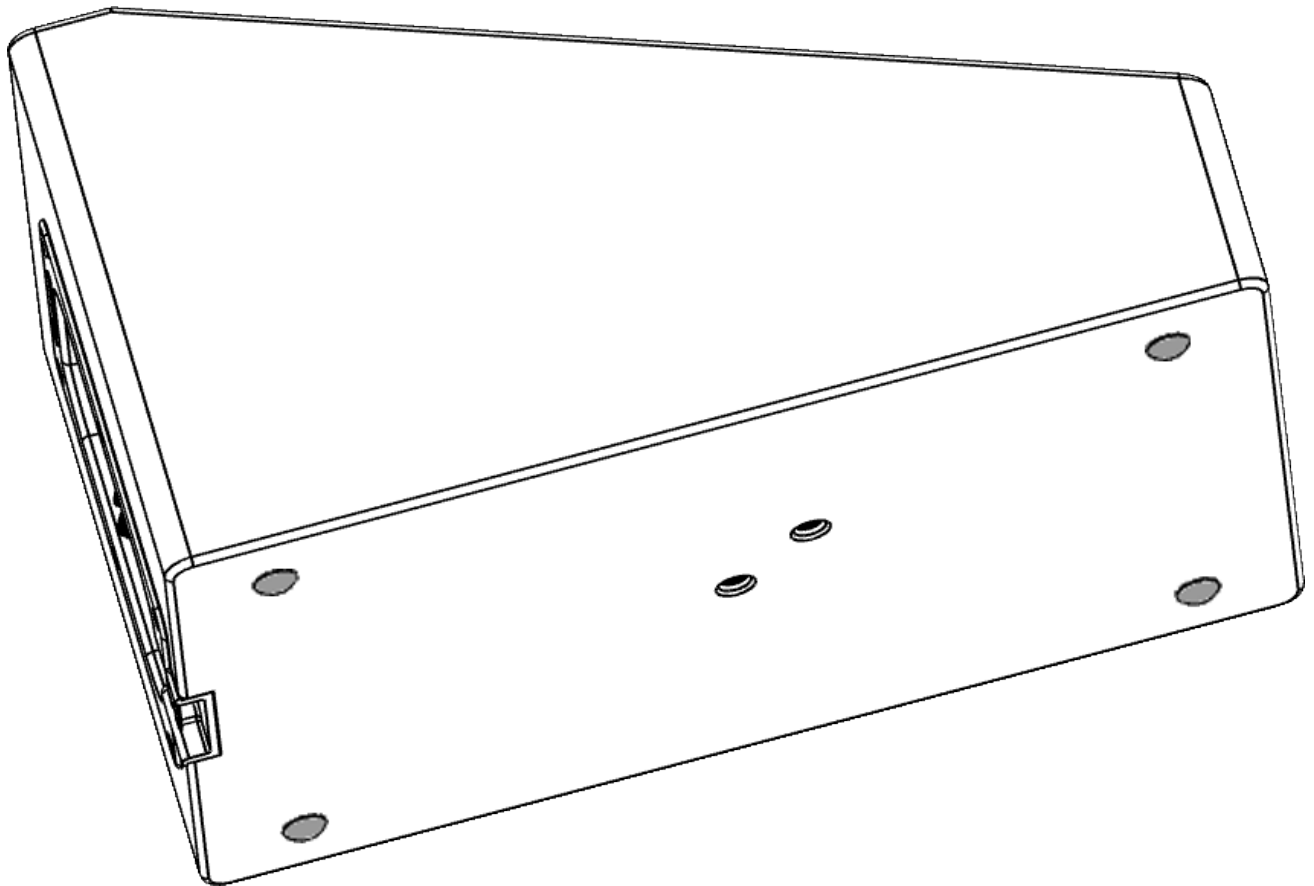
Attach the mounting pins

Insert the mounting pins into the mounting pad.



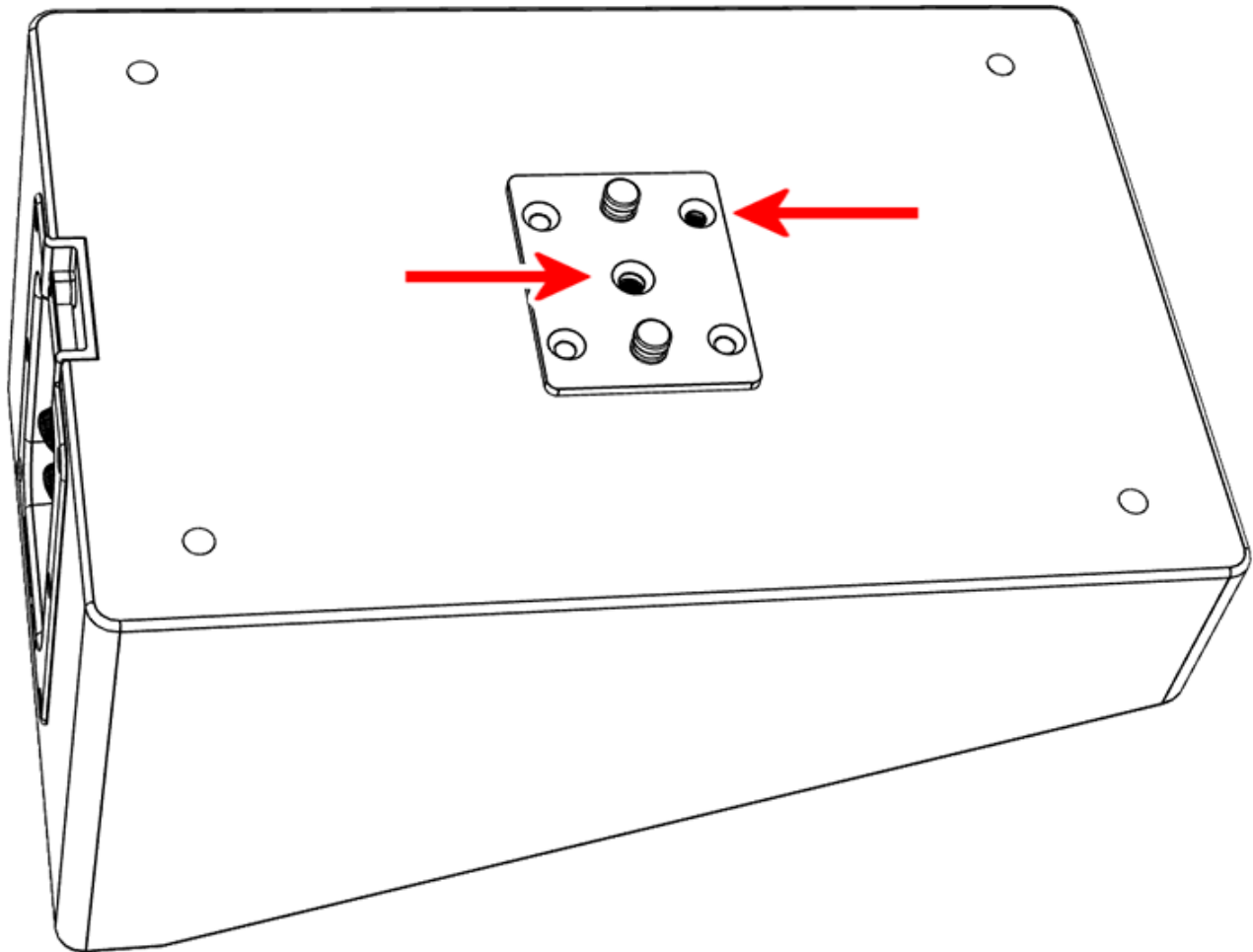
Attach the large feet

Attach the four large feet to the speaker to insulate it from the mounting surface.



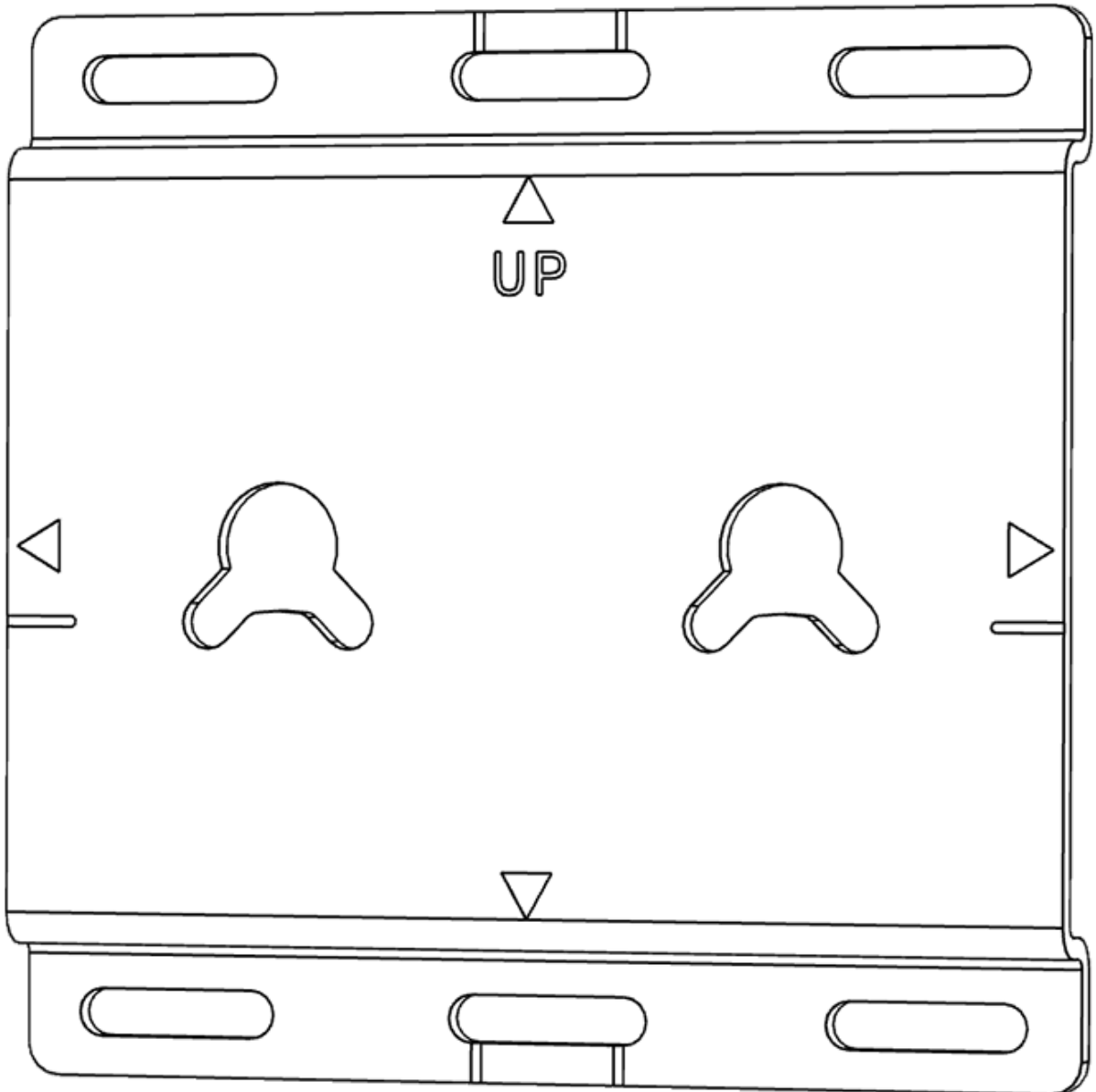
Secure the pad to the speaker

Use the screws provided to secure the mounting base to the speaker body as shown.



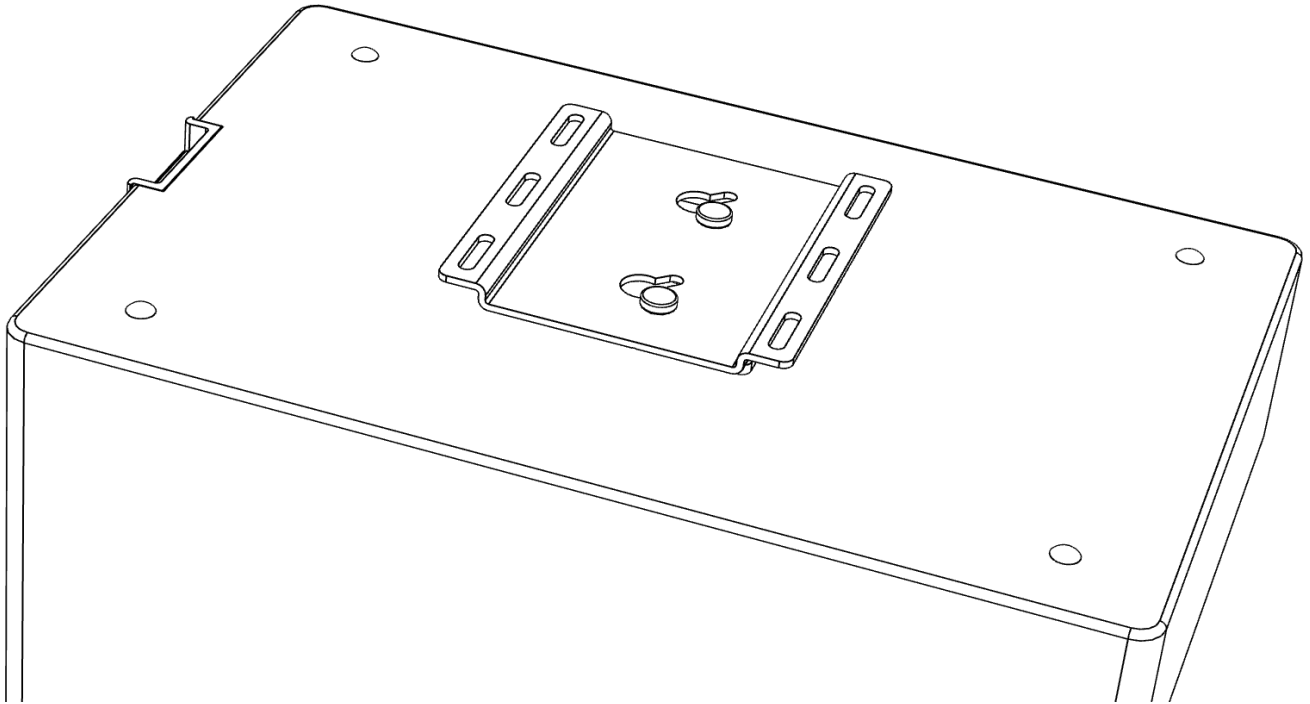
Attach the bracket

Attach the bracket to the mounting surface. Note that the keyholes are angled; be sure to use the guides etched into the bracket for proper centering.



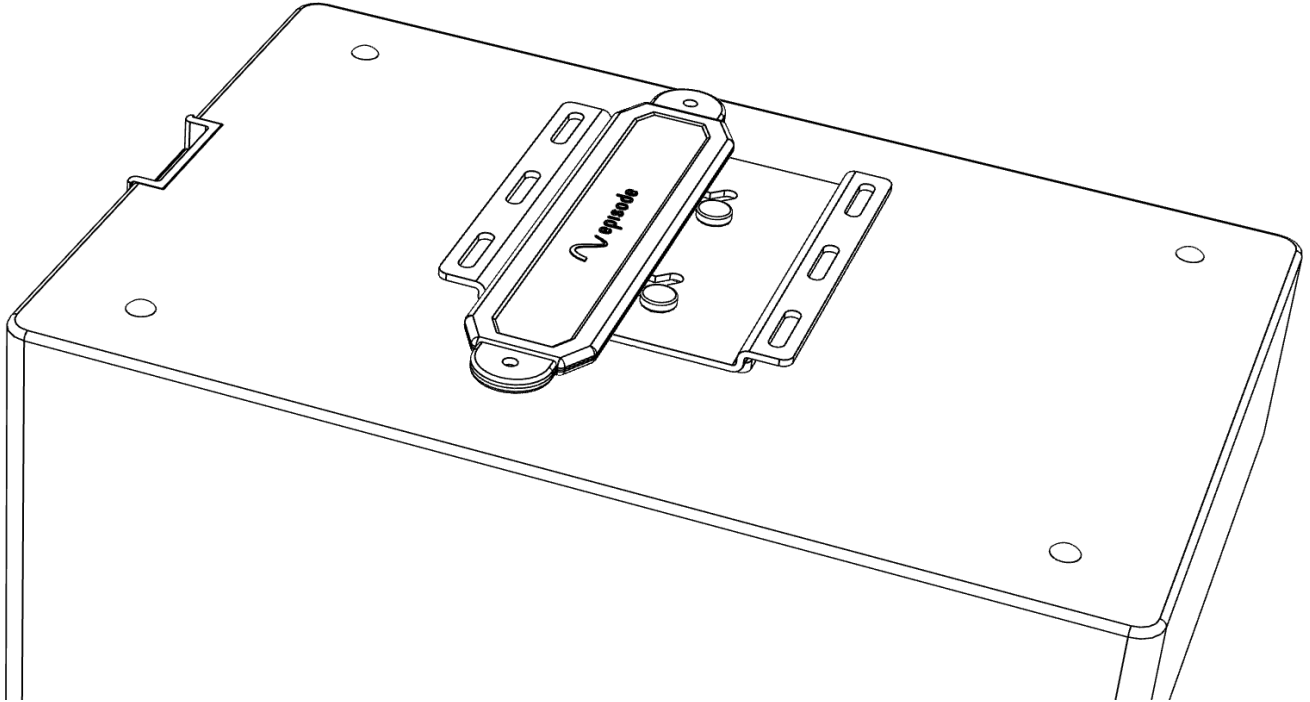
Mount the speaker

Insert the mounting pins into the keyholes of the bracket. Ensure that the pins are seated in the keyholes.



Insert the locking bar

Slide the locking bar into the gap between the edge of the mounting bracket and the mounting pins on the speaker. This prevents the speaker from vibrating itself loose in ceiling installs.



Install the HT-IRLCR

Box Contents

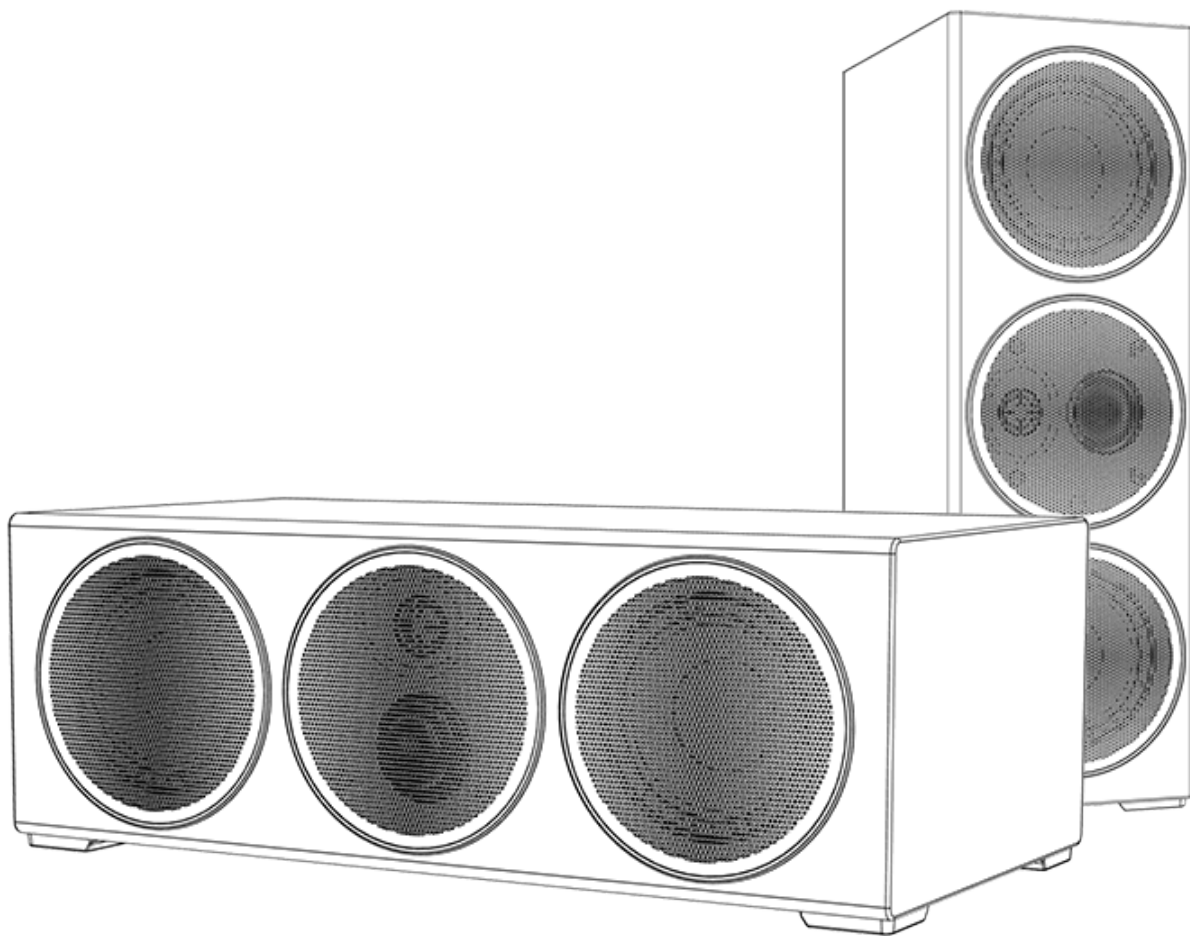
Your box should contain:

- speaker
- 3 × grilles
- 2 × port plugs
- 4 × adhesive feet
- foot mounting template

Ensure your mounting surface is able to hold three times the weight of the speaker.

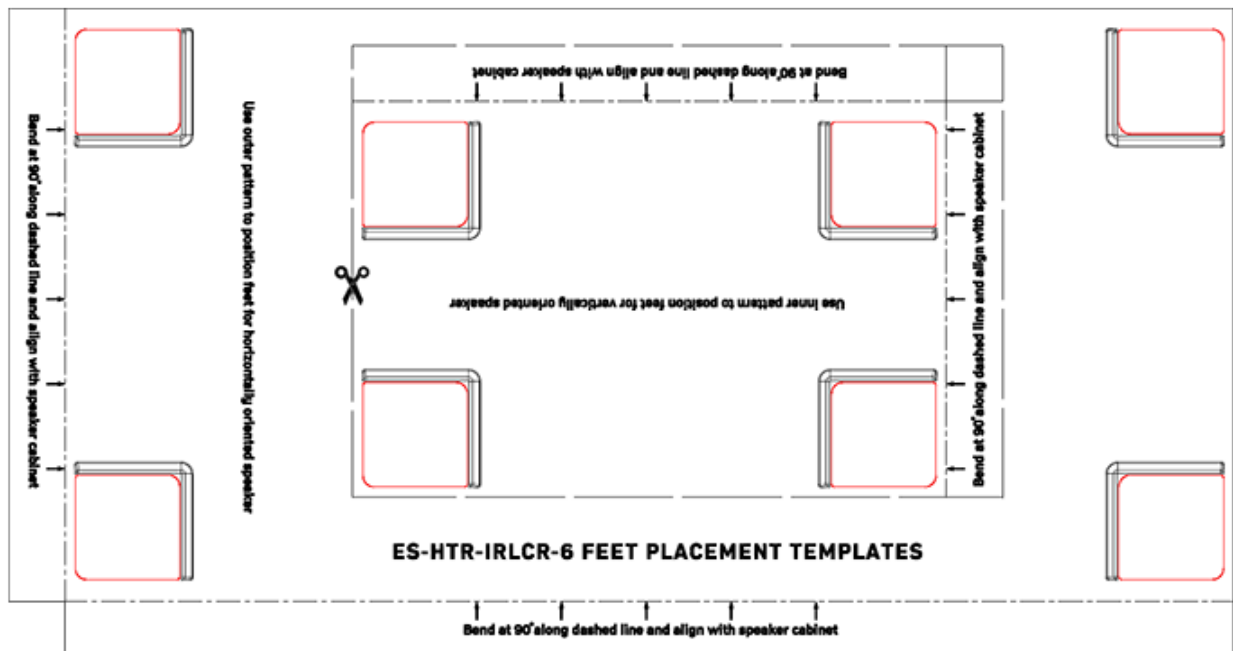
Attach the grilles

Place the magnetic grilles over the speakers for protection during the install.



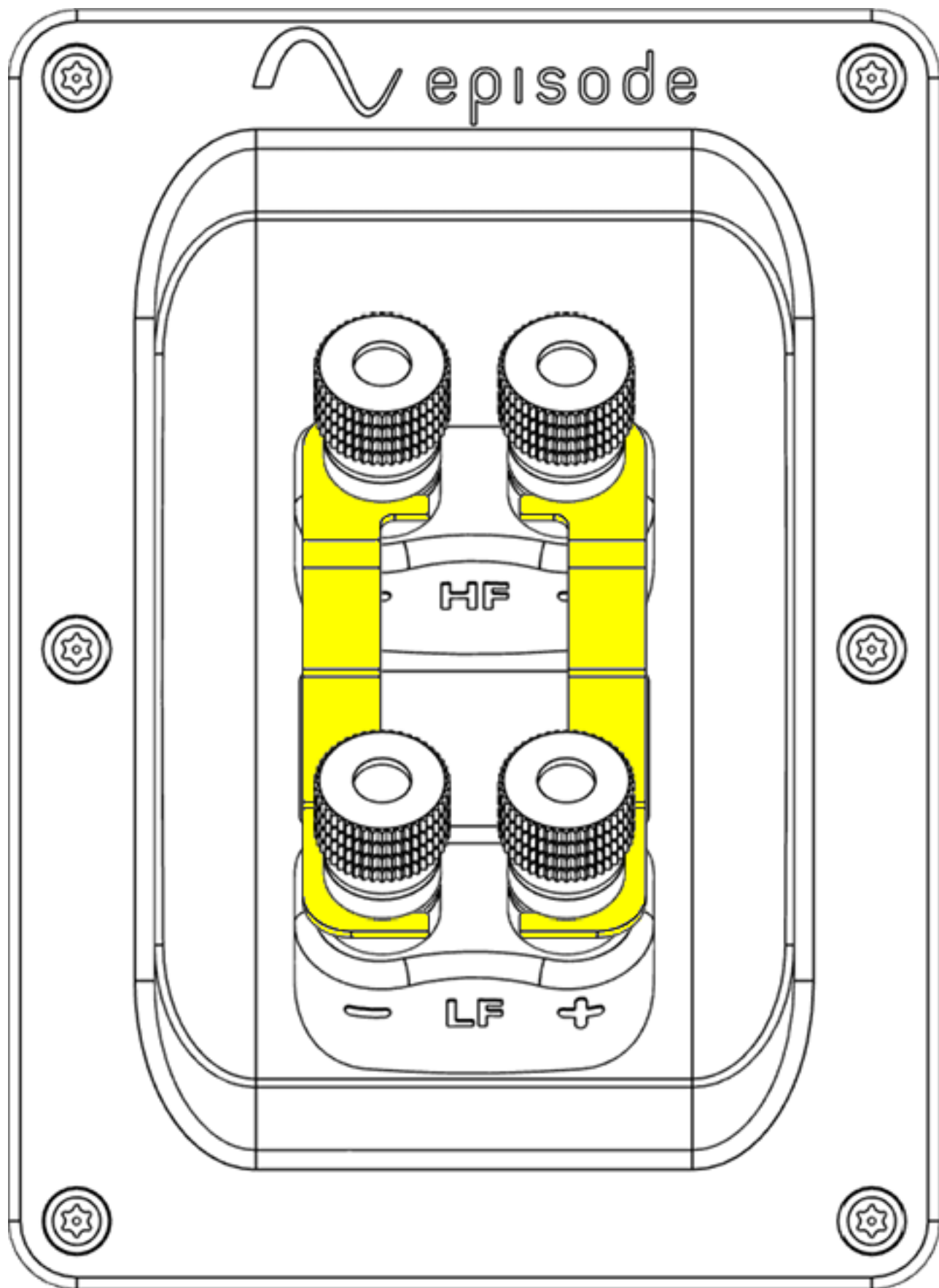
Attach the feet

You can select a horizontal or vertical install. Use the enclosed template to attach the feet properly to the bottom of the speaker. Be sure to align the rounded corners of the feet correctly.



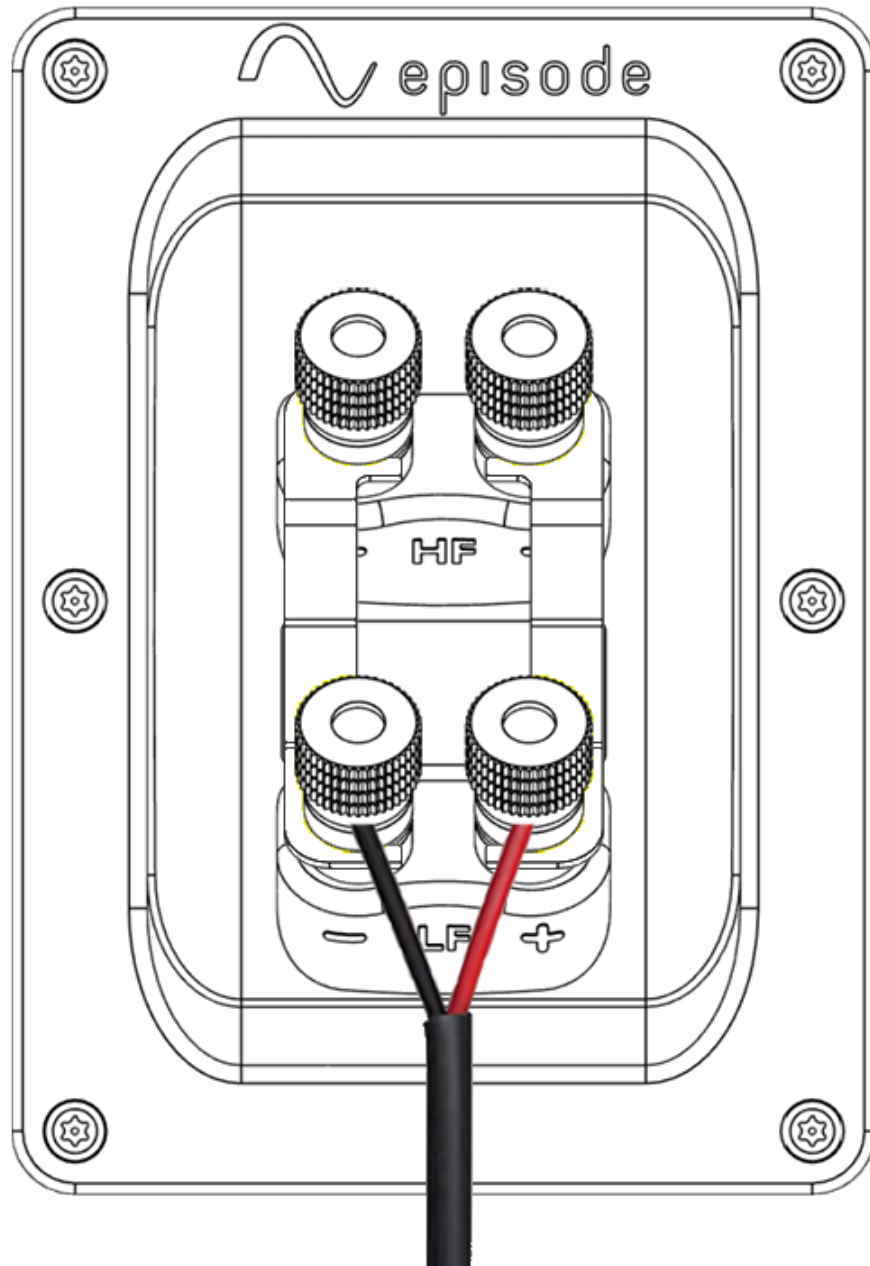
Remove the shorting bar (optional)

This speaker is designed for biamplification. If you wish to use it, loosen the nuts and remove the shorting bars (shown in yellow).



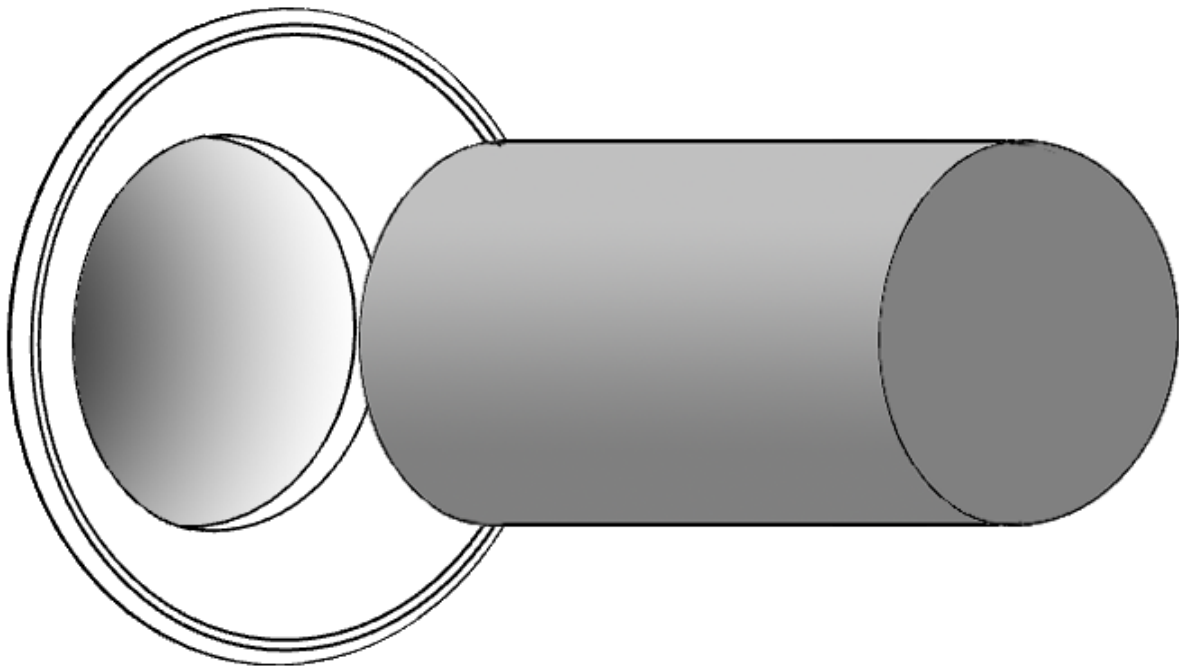
Attach the wires

Connect your wires to the speaker binding posts (strip the wires or use banana plugs).



Plug the rear ports

If you will be placing this speaker in a cabinet or a recessed area, you may wish to insert the foam plugs in ports at the rear of the speaker. This prevents unwanted buzzing caused by the environment.



Complete the Install

Place the speaker in the desired location, and you're done!

Install the HT-IRMON

Box Contents

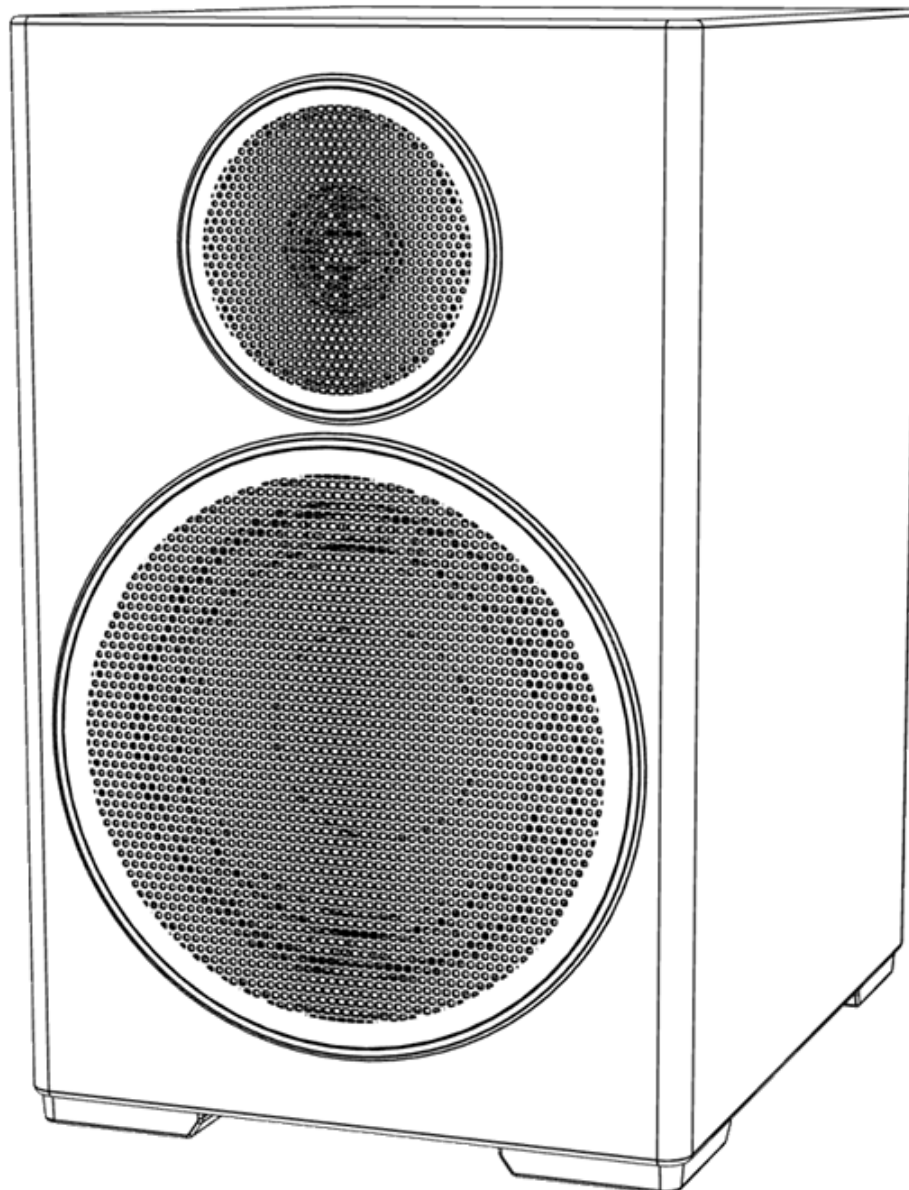
Your box should contain:

- speaker
- 2 × grilles
- port plug

Ensure your mounting surface is able to hold three times the weight of the speaker.

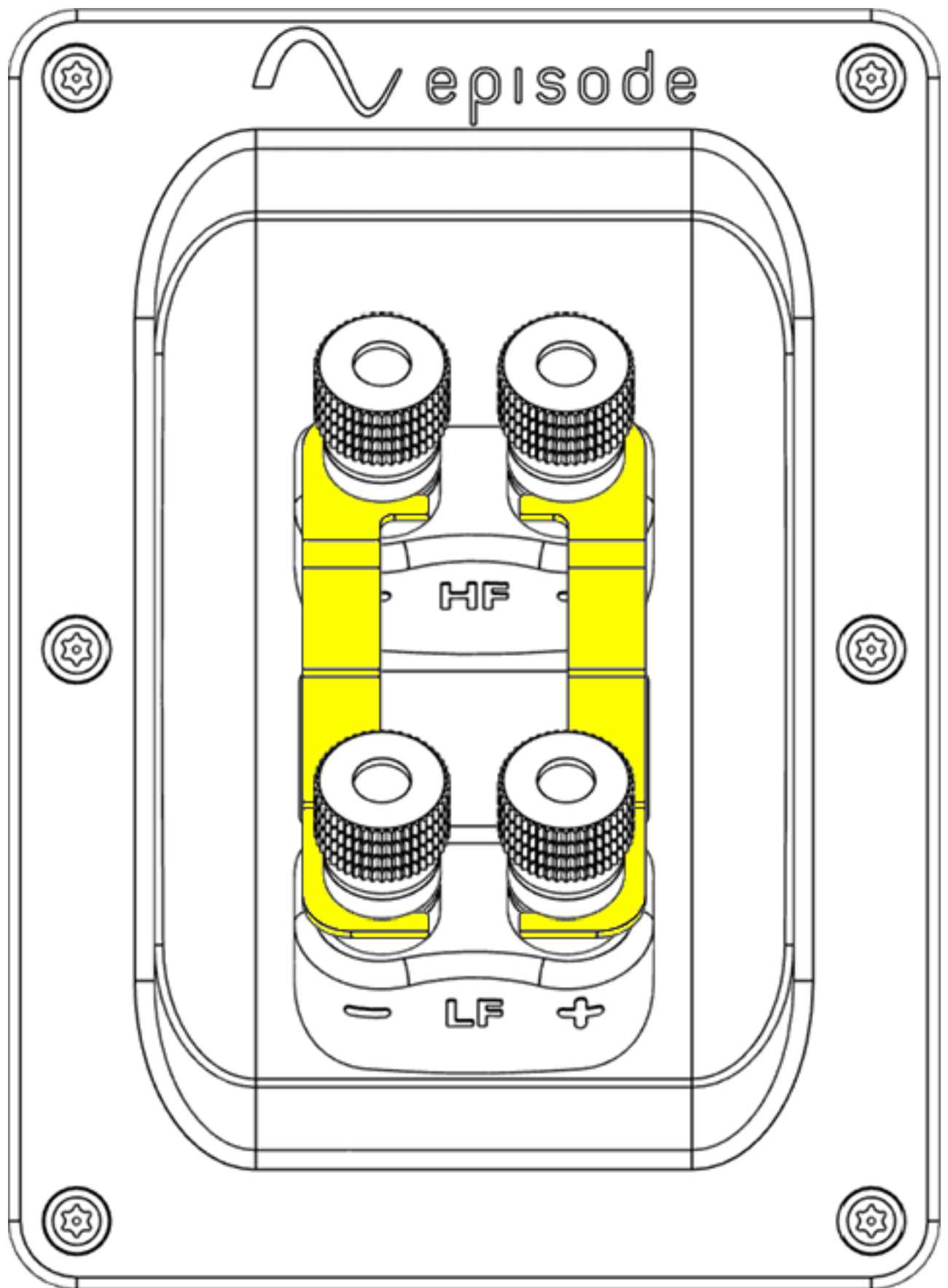
Attach the grilles

Place the magnetic grilles over the speakers for protection during the install.



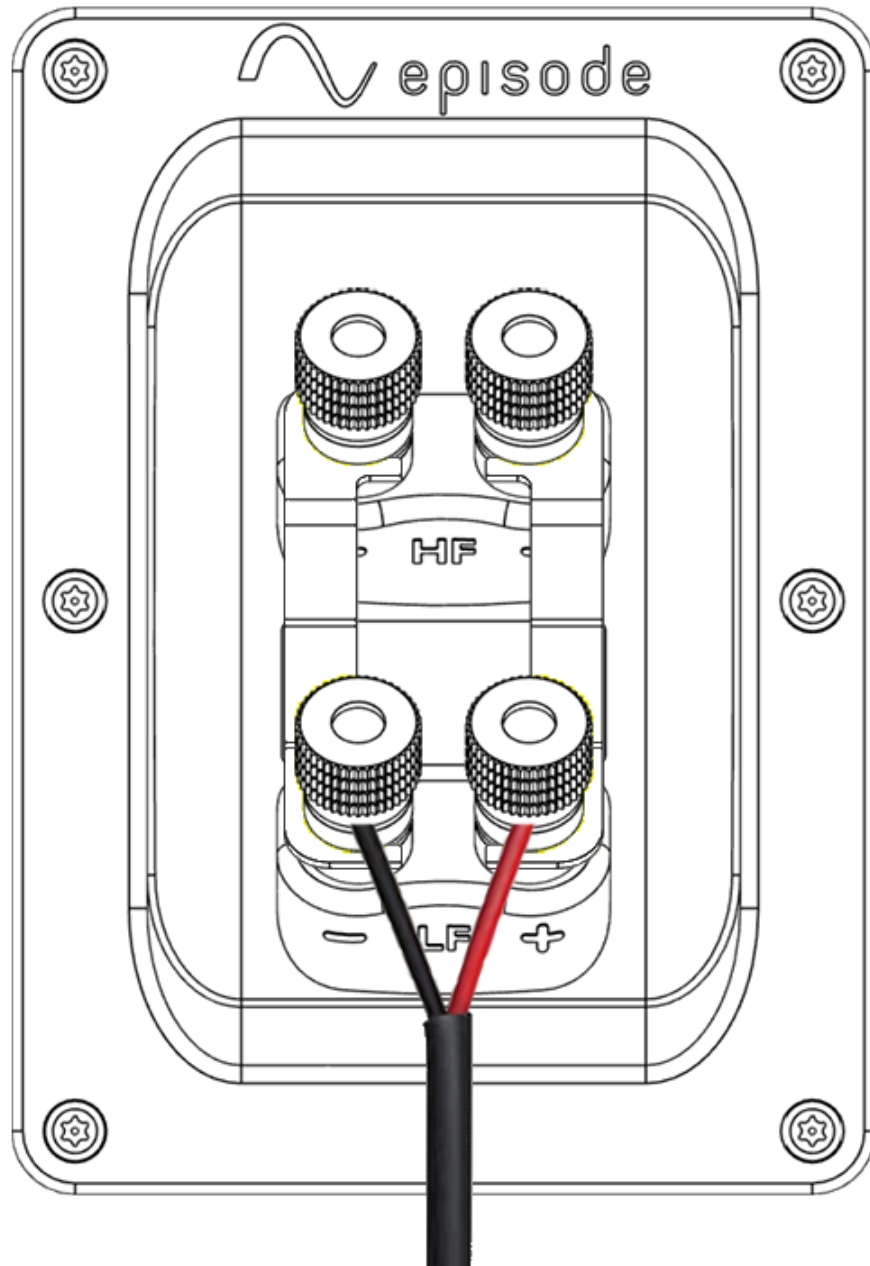
Remove the shorting bar (optional)

This speaker is designed for biamplification. If you wish to use it, loosen the nuts and remove the shorting bars (shown in yellow).



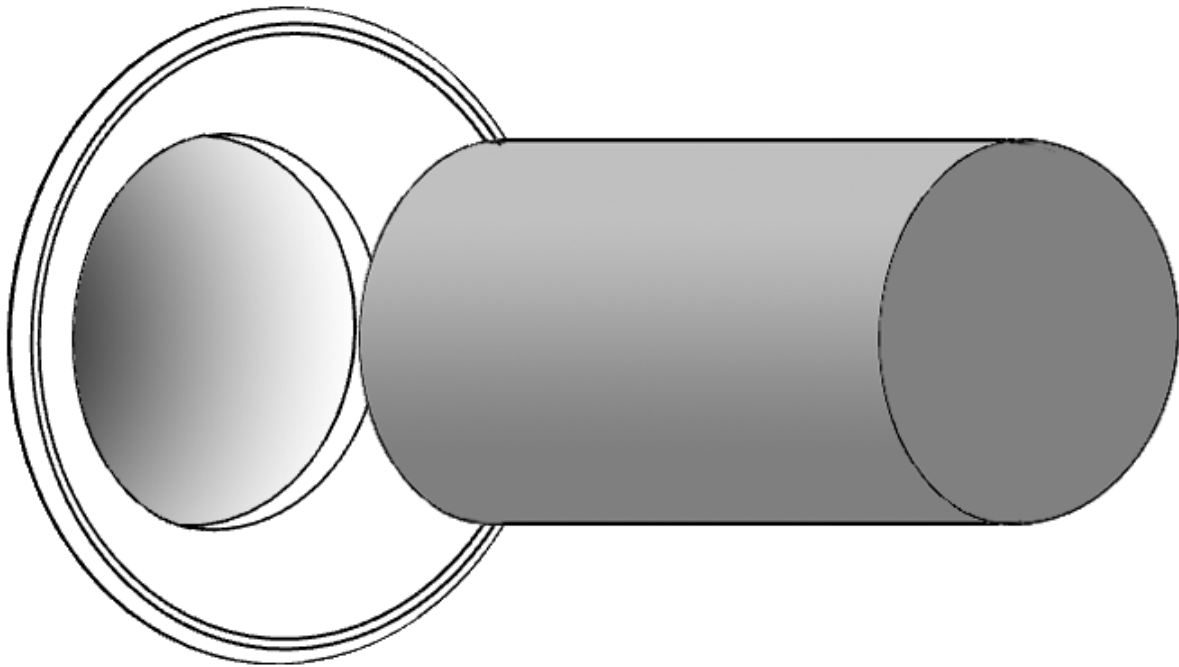
Attach the wires

Connect your wires to the speaker binding posts (strip the wires or use banana plugs).



Plug the rear port

If you will be placing this speaker in a cabinet or on a bookshelf, insert the foam plug in port at the rear of the speaker. This prevents unwanted buzzing caused by the cabinet or bookshelf.



Complete the Install

Place the speaker in the desired location, and you're done!

Install the HT-IRSAT

Box Contents

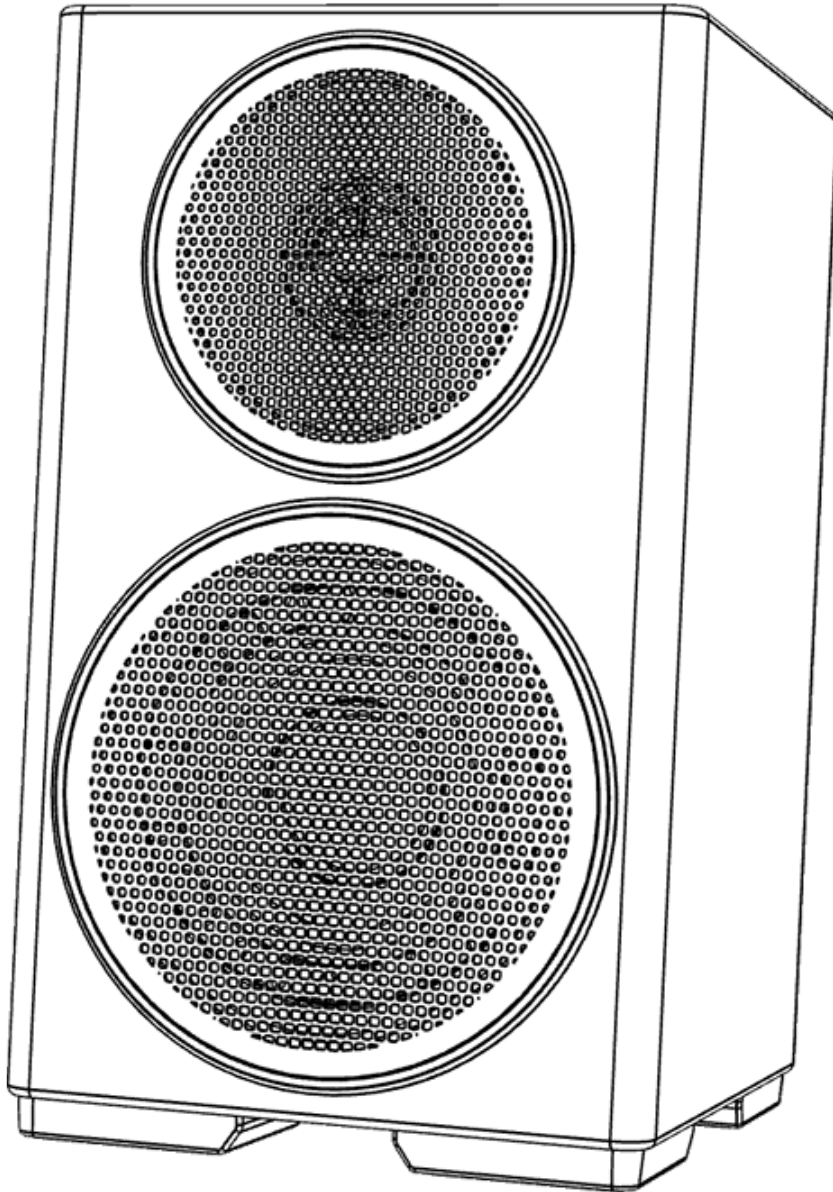
Your box should contain:

- speaker
- 2 × grilles
- port plug

Ensure your mounting surface is able to hold three times the weight of the speaker.

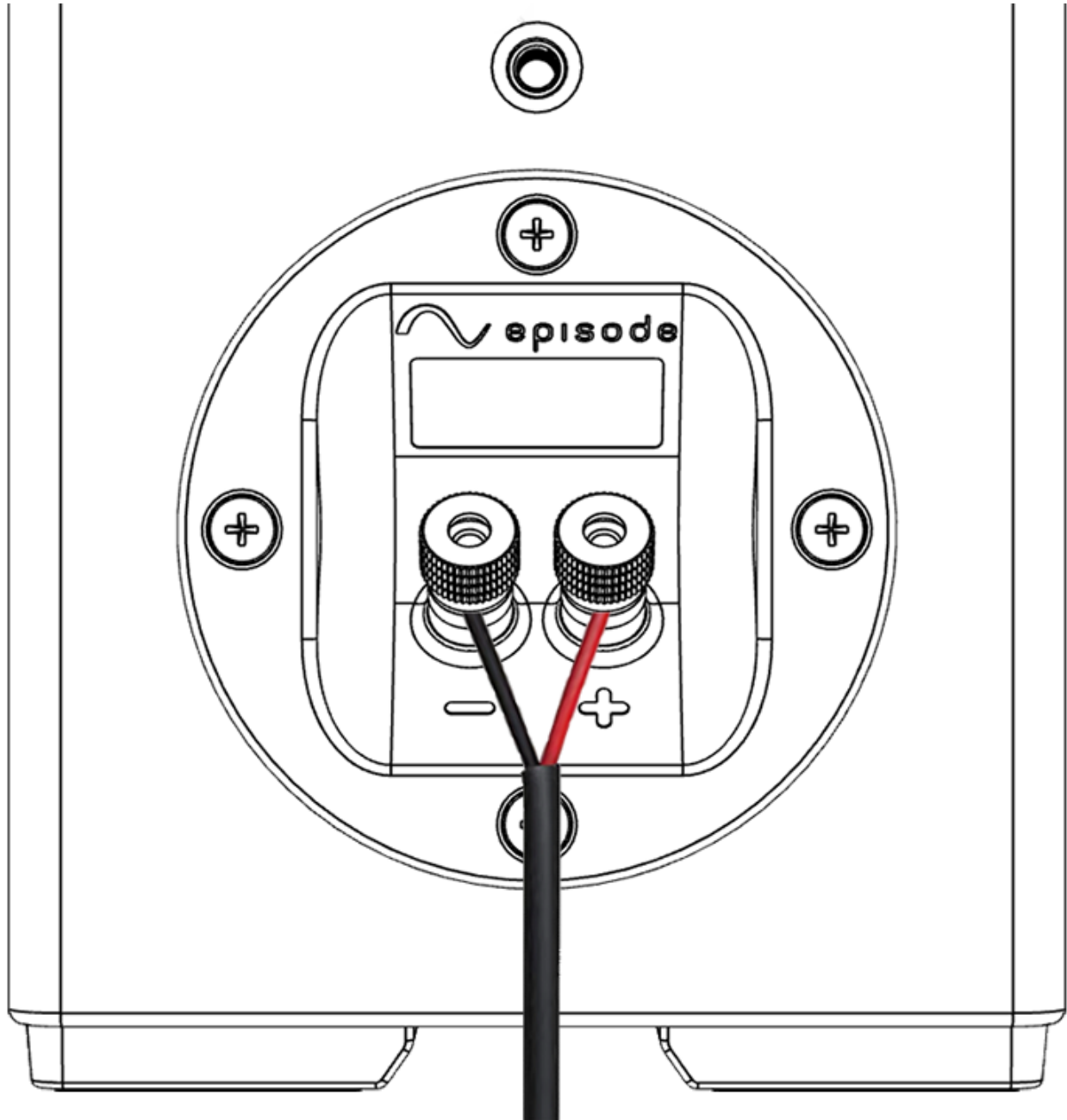
Attach the grilles

Place the magnetic grilles over the speakers for protection during the install.



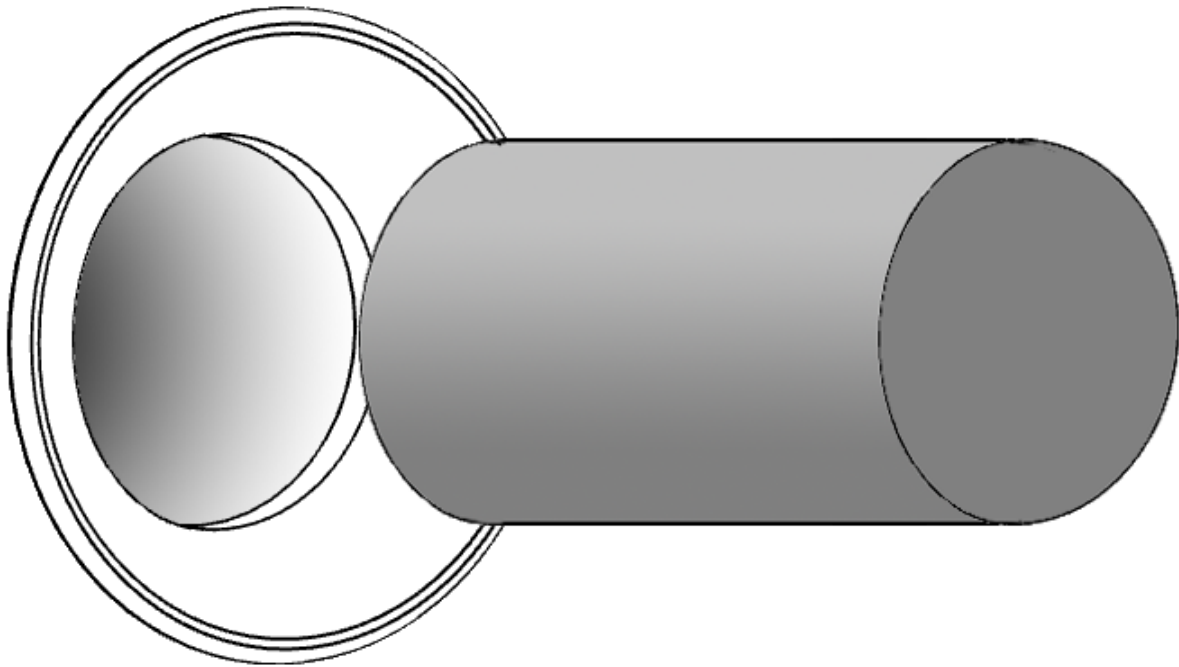
Attach the wires

Connect your wires to the speaker binding posts (strip the wires or use banana plugs).



Plug the rear port

If you will be placing this speaker in a cabinet or on a bookshelf, insert the foam plug in port at the rear of the speaker. This prevents unwanted buzzing caused by the cabinet or bookshelf.



Complete the Install

Place the speaker in the desired location, and you're done!

Install the HT-IRTWR

Box Contents

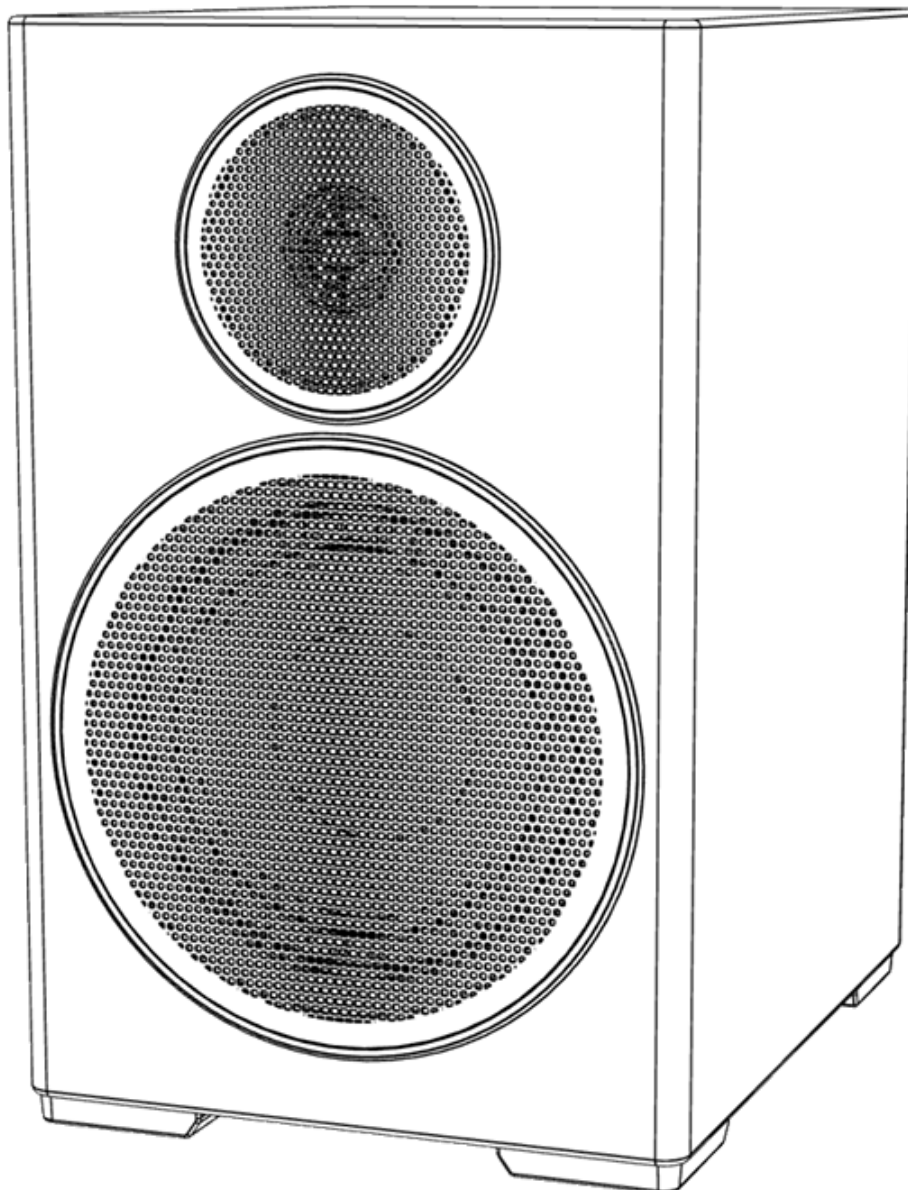
Your box should contain:

- speaker
- 3 × grilles
- 2 × port plugs
- 4 × foot spikes

Ensure your mounting surface is able to hold three times the weight of the speaker.

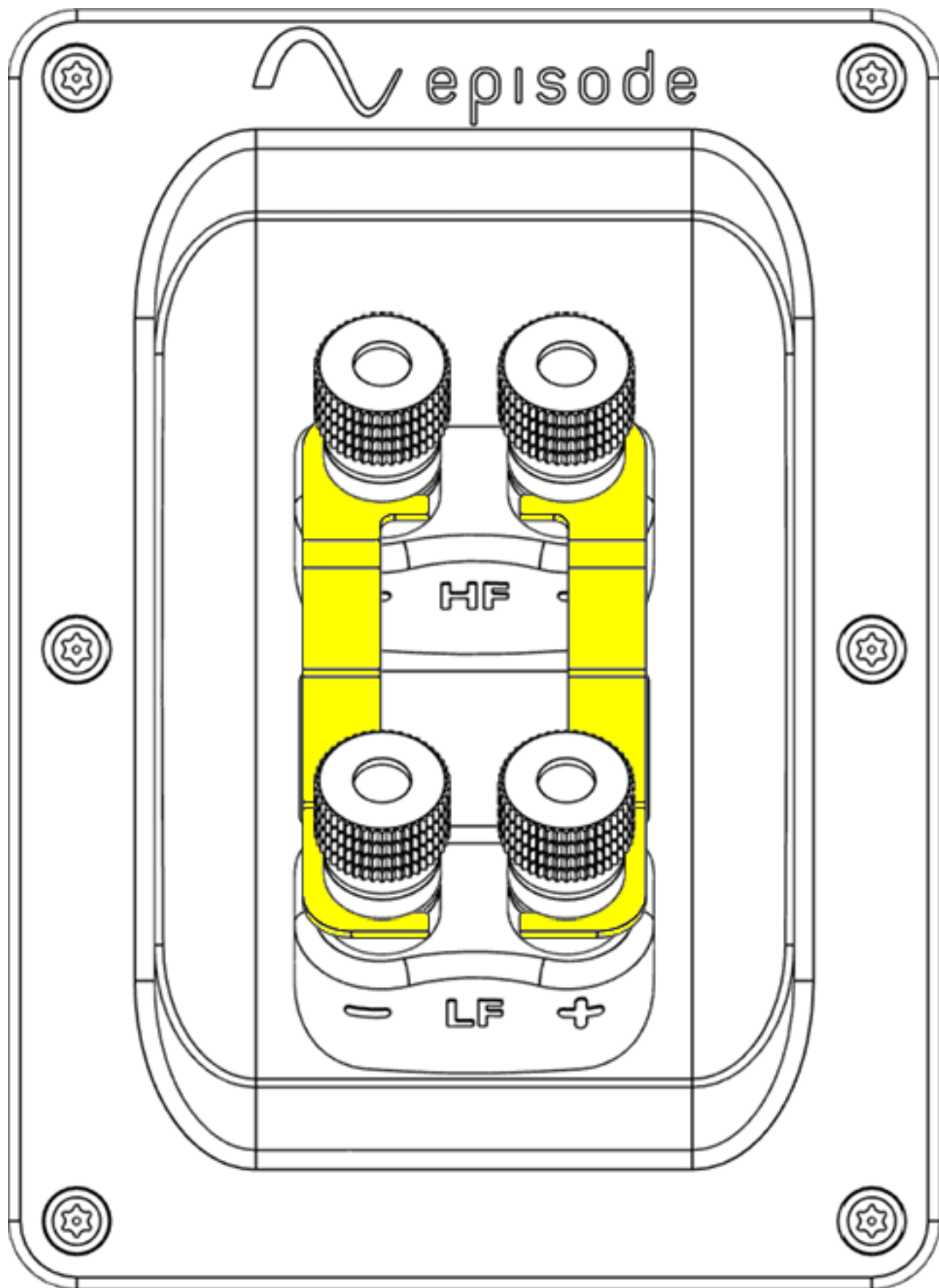
Attach the grilles

Place the magnetic grilles over the speakers for protection during the install.



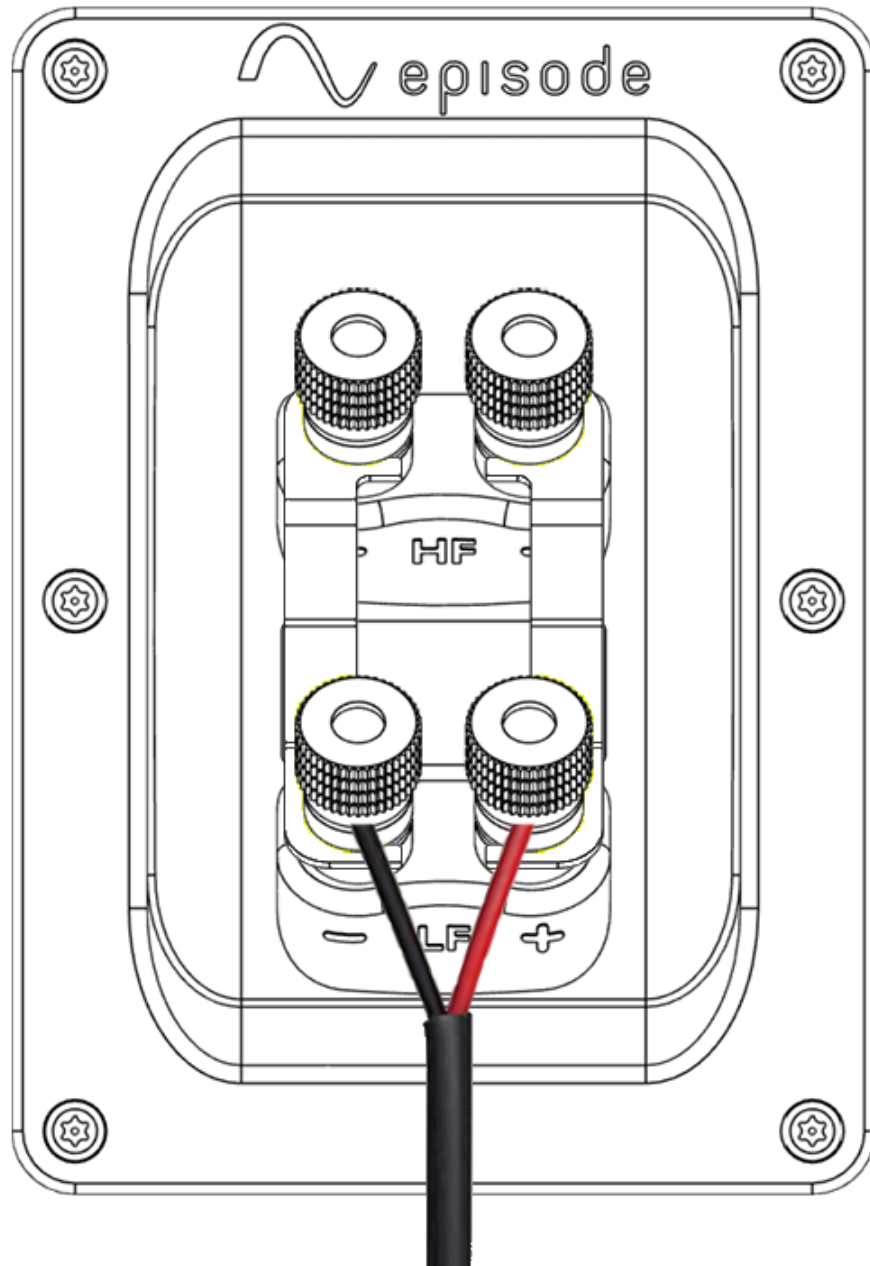
Remove the shorting bar (optional)

This speaker is designed for biamplification. If you wish to use it, loosen the nuts and remove the shorting bars (shown in yellow).



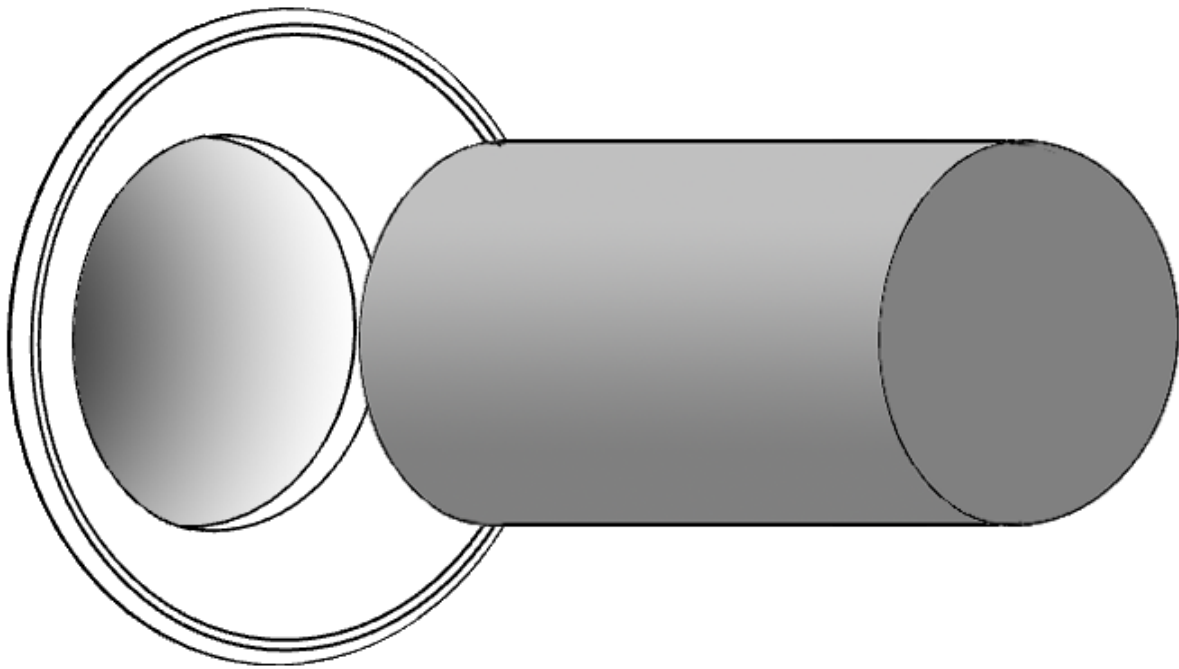
Attach the wires

Connect your wires to the speaker binding posts (strip the wires or use banana plugs).



Plug the rear ports

If you will be placing this speaker in a cabinet or a recessed area, you may wish to insert the foam plugs in ports at the rear of the speaker. This prevents unwanted buzzing caused by the environment.



Complete the Install

Optional: If you are placing this speaker on a thicker carpet, thread the floor spikes into the holes on the feet. These keep the speaker secure on carpets.

Place the speaker in the desired location, and you're done!

Install the HT-OWLCR

Box Contents

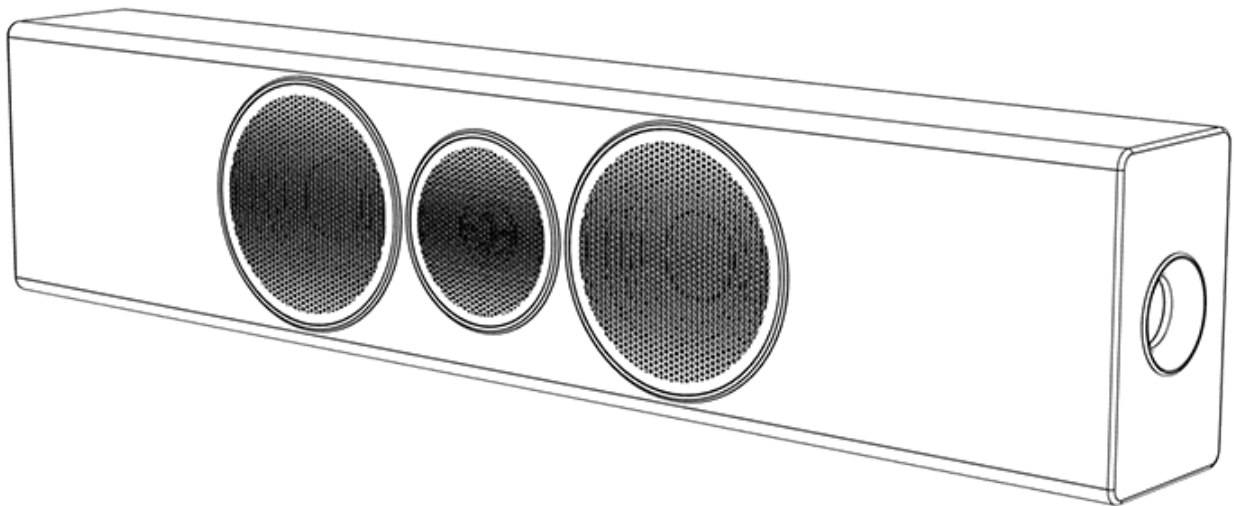
Your box should contain:

- speaker
- 3 × grilles
- 2 × port plugs
- 4 × rubber bumpers
- wall mount bracket
- mounting template
- mounting accessories

Ensure your mounting surface is able to hold three times the weight of the speaker.

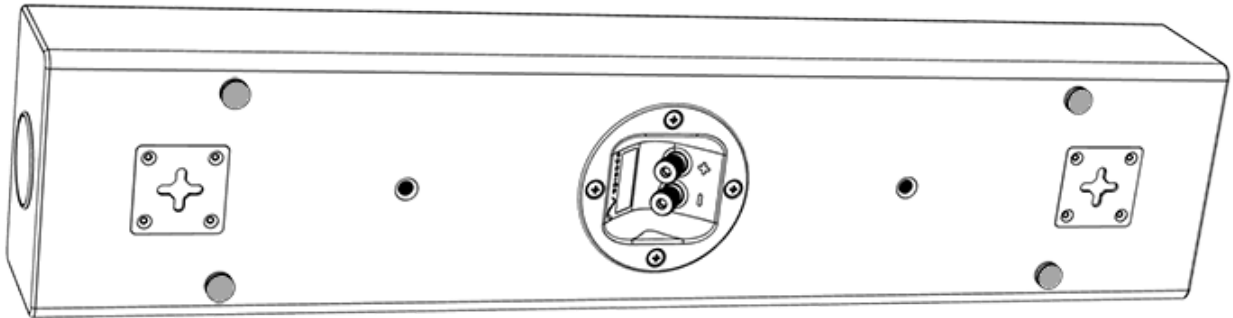
Attach the grilles

Place the magnetic grilles over the speakers for protection during the install.



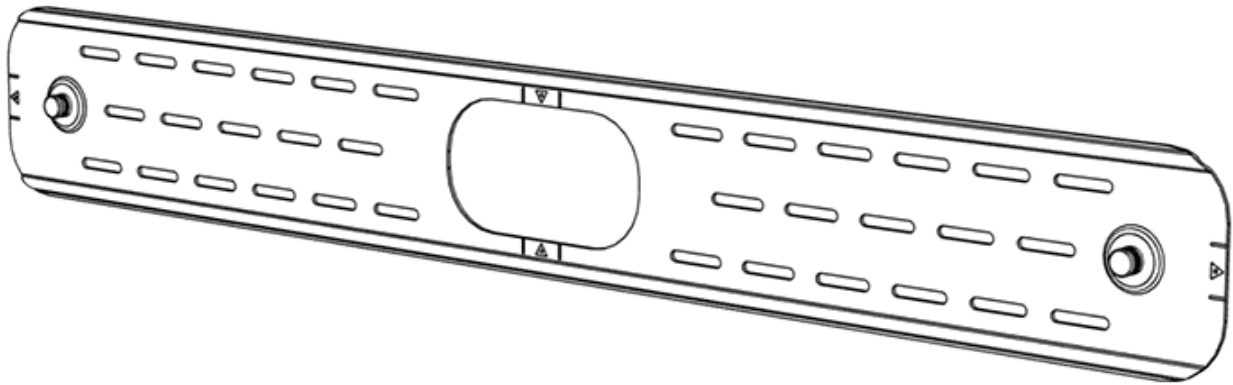
Attach the bumpers

Attach the four rubber bumpers to the rear of the speaker as shown.



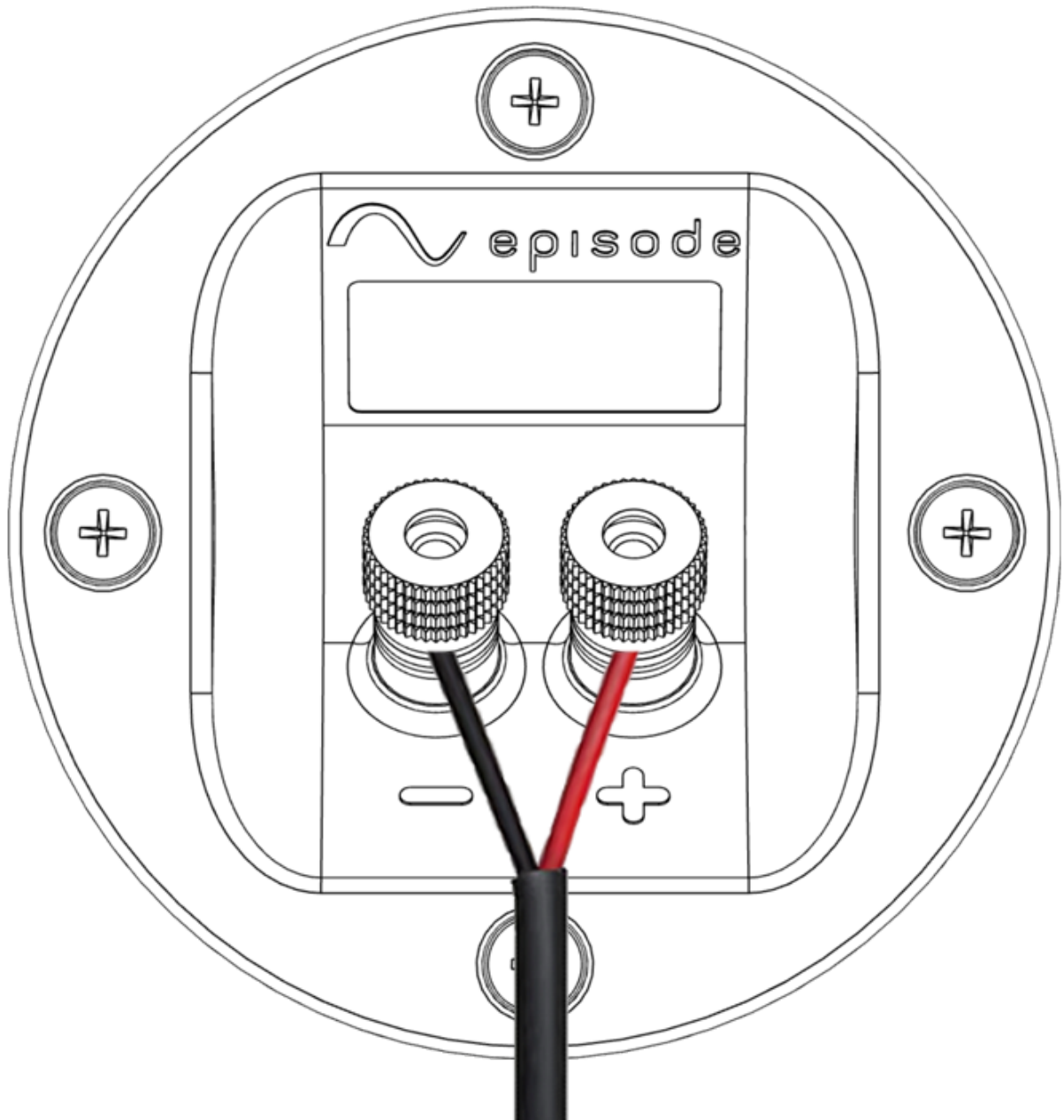
Install the mounting bar

Attach the mounting bar to the wall using the enclosed hardware. It can be placed vertically or horizontally. Note that the speaker uses keyhole seating; the mounting bar is marked with the true center lines along each side.



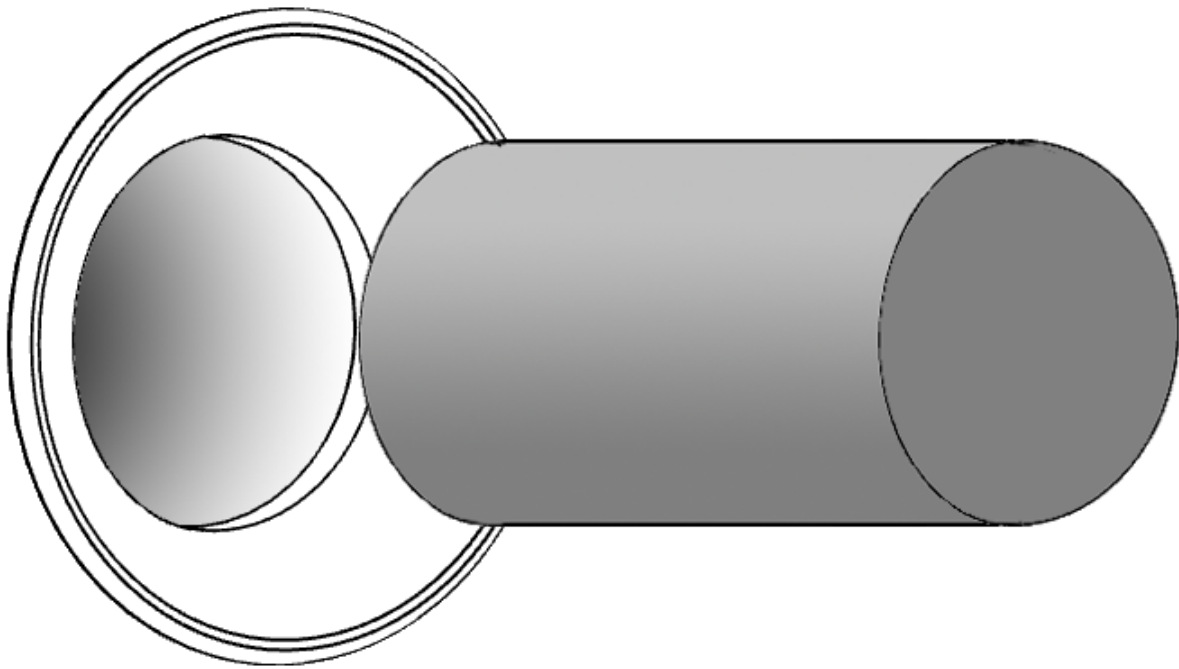
Attach the wires

Connect your wires to the speaker binding posts (strip the wires or use banana plugs).



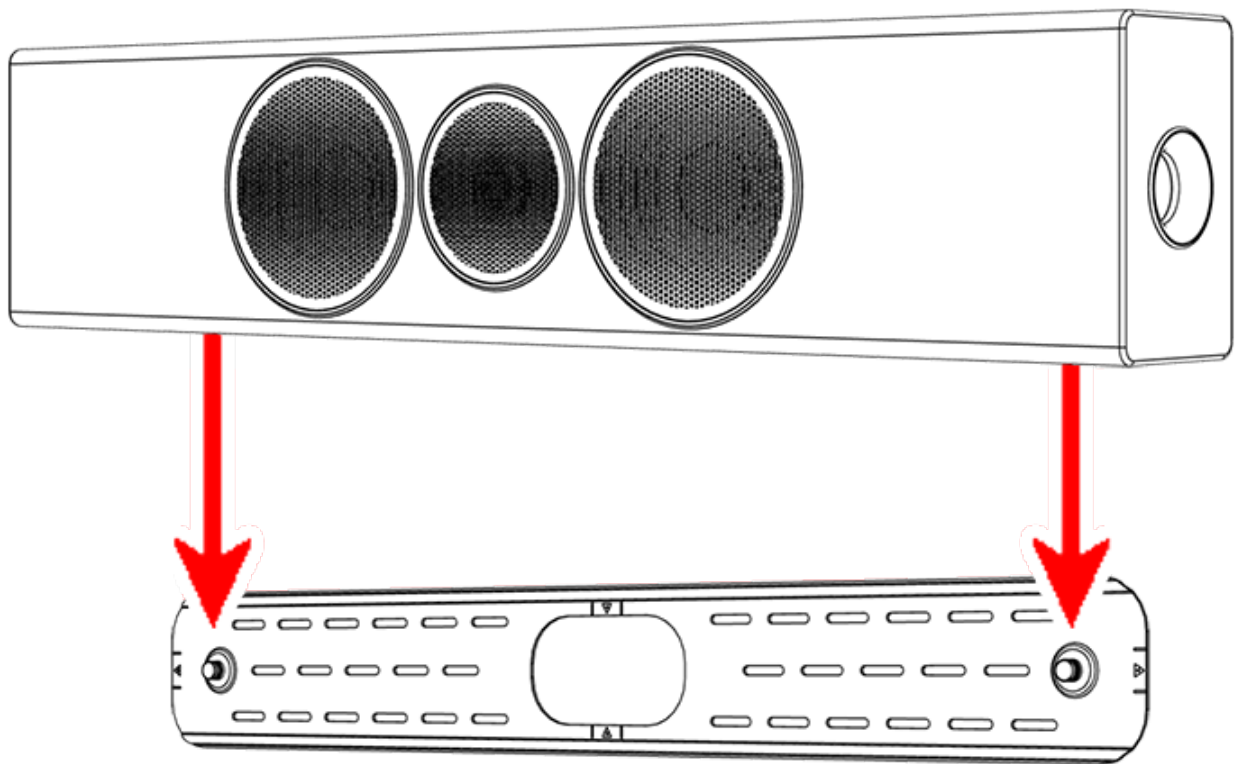
Plug the end ports

If you will be placing this speaker in a cabinet or a recessed area, you may wish to insert the foam plugs in the ports at the ends of the speaker. This prevents unwanted buzzing caused by the environment.



Place the speaker on the mounting bar

Slide the keyholes on the back of the speaker over the knobs on the mounting bar. Ensure that both speaker keyholes are securely seated.



Technical Support

For chat and telephone, visit snp1.co/techsupport • Email: TechSupport@SnapOne.com. Visit snp1.co/tc for discussions, instructional videos, news, and more.

Warranty and Legal Notices

Find details of the product's Limited Warranty and other resources such as regulatory notices and patent and safety information, at snapone.com/legal or request a paper copy from Customer Service at **866.424.4489**.

Copyright © 2023, Snap One, LLC. All rights reserved. Snap One and its respective logos are registered trademarks or trademarks of Snap One, LLC (formerly known as Wirepath Home Systems, LLC), in the United States and/or other countries. 4Store, 4Sight, Control4, Control4 My Home, SnapAV, Araknis Networks, BakPak, Binary, Dragonfly, Episode, Luma, Mockupancy, Nearus, NEEO, Optiview, OvrC, Pakedge, Sense, Strong, Strong Evolve, Strong VersaBox, SunBriteDS, SunBriteTV, Triad, Truvision, Visualint, WattBox, Wirepath, and Wirepath ONE are also registered trademarks or trademarks of Snap One, LLC. Other names and brands may be claimed as the property of their respective owners. Snap One makes no claim that the information contained herein covers all installation scenarios and contingencies, or product use risks. Information within this specification subject to change without notice.

230417

200-AN-520_820-AP-I-AC_QSG-A