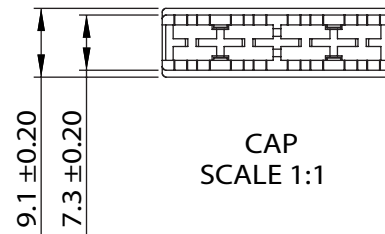
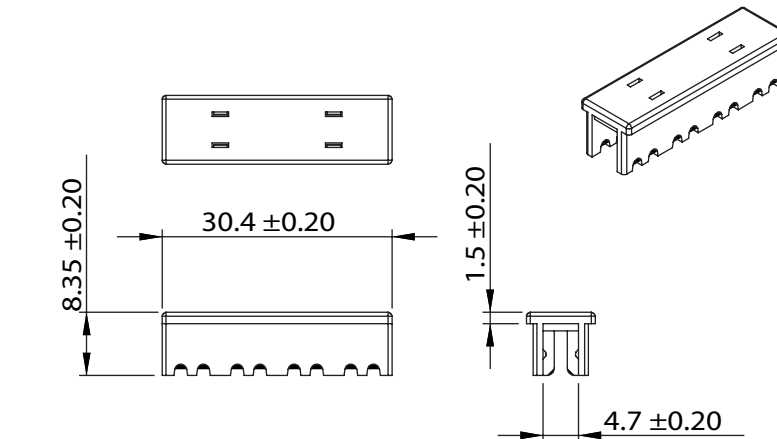
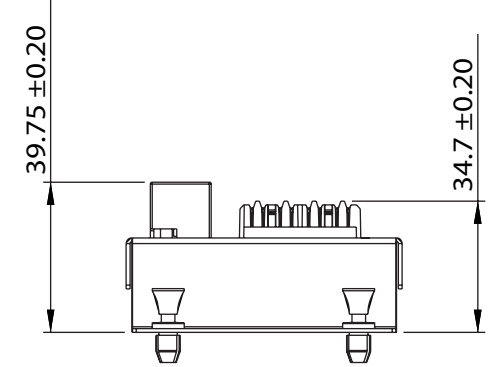
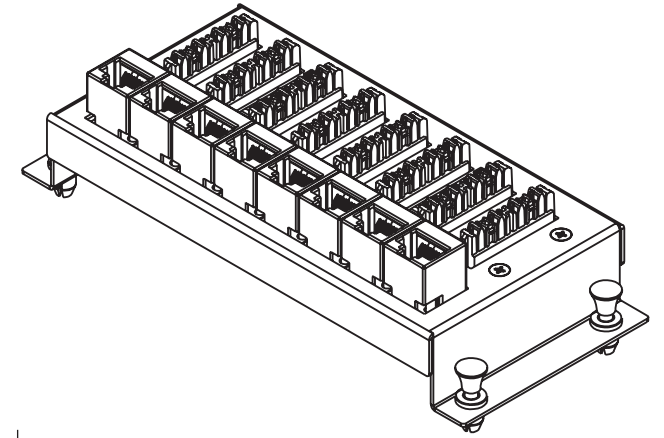
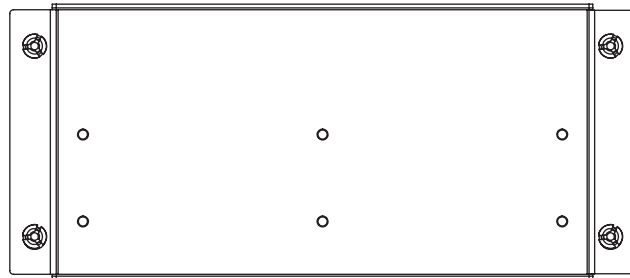
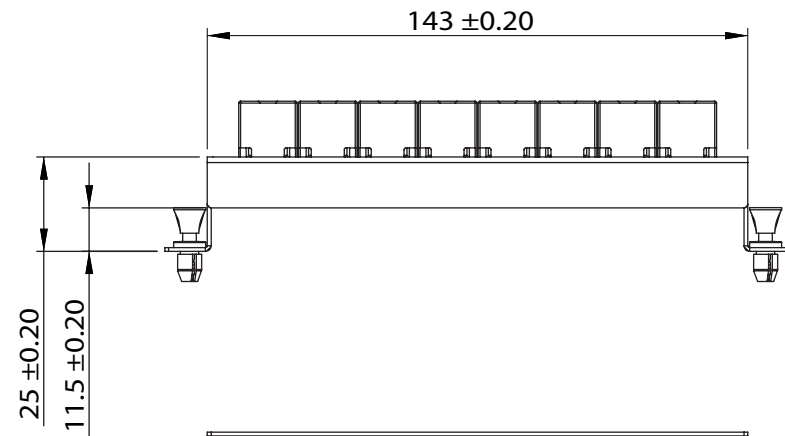
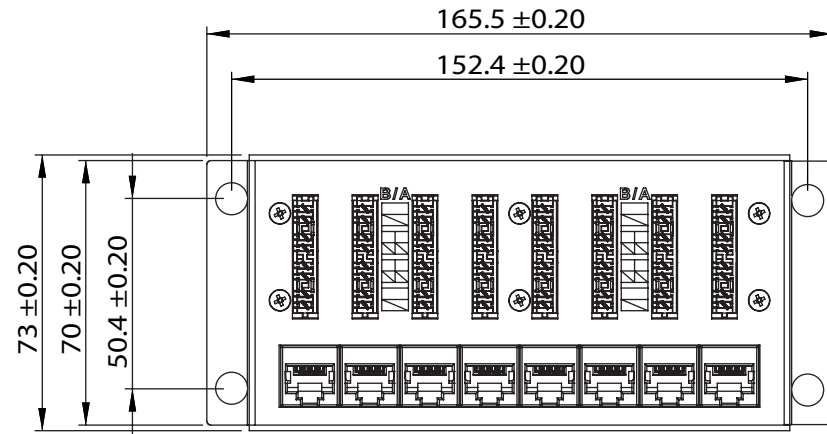


ACCORDING TO : ANSI/TIA-568.2-D
ISO/IEC 11801-1
IEC 60603-7



CAP
SCALE 1:1

MATERIAL

PANEL : SPCC.
PLASTIC FRAME : PC,UL94V-0.
CONTACT HOLDER : PC,UL94V-0.
JACK CONTACTS : PHOSPHOR BRONZE,50U" GOLD PAINTING.
IDC PLASTIC : PC, UL94V-0.
IDC TERMINALS : PHOSPHOR BRONZE, NICKEL PLATED.

PHYSICAL CHARACTERISTICS

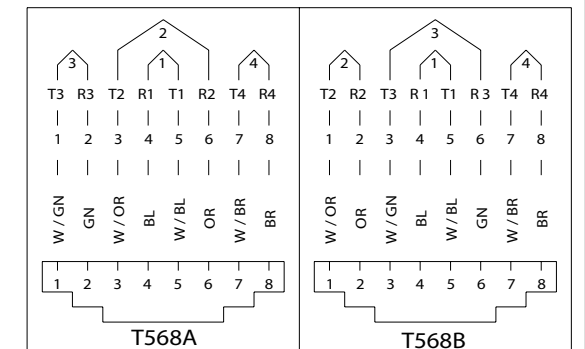
SUITABLE IMPACT TOOL : 110 STYLE PUNCH DOWN TOOL.
INSERTION LIFE : 750 MATING CYCLES WITH FCC COMPLIANT 8P PLUG.
PLUG RETENTION FORCE : 11 LBF MINIMUM.
DURABILITY : 200 TERMINATION CYCLES.
CONTACT COMPATIBILITY : ACCOMMODATES 22 TO 24 AWG SOLID.
OPERATING TEMPERATURE RANGE : -10 °C TO 60 °C.
STORAGE TEMPERATURE RANGE : -40 °C TO 68 °C.
HUMIDITY : 10% TO 90% RH (NON-CONDENSING).

ELECTRICAL

INSULATION RESISTANCE : 500 MΩ MINIMUM.
DC CURRENT RATING : 1.5 Amps.
INPUT TO OUTPUT D.C. RESISTANCE : 200 mΩ MAXIMUM.
CONTACT RESISTANCE : 20 mΩ MAXIMUM.
VOLTAGE PROOF (CONTACT TO CONTACT) : 1000 V D.C. OR A.C. PEAK.

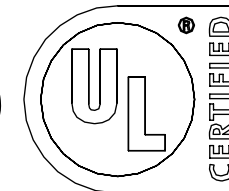
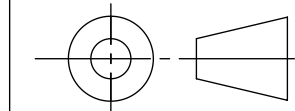
NOTE

ONLY ACCEPT RJ-45 8P8C PLUG.



PROPRIETARY AND CONFIDENTIAL

THE INFORMATION CONTAINED IN THIS DRAWING IS THE SOLE PROPERTY OF STRONG MOUNTS AND LIFTS. ANY REPRODUCTION IN PART OR AS A WHOLE WITHOUT THE WRITTEN PERMISSION OF SNAP AV IS PROHIBITED.



CUSTOMER PRINT

WIREPATH
STRUCTURED WIRING

SIZE	DRAWING NUMBER	DWG REV
B	WP-MOD-CATA-DATA8X8	B
DO NOT SCALE DRAWING		SHEET 1 OF 1