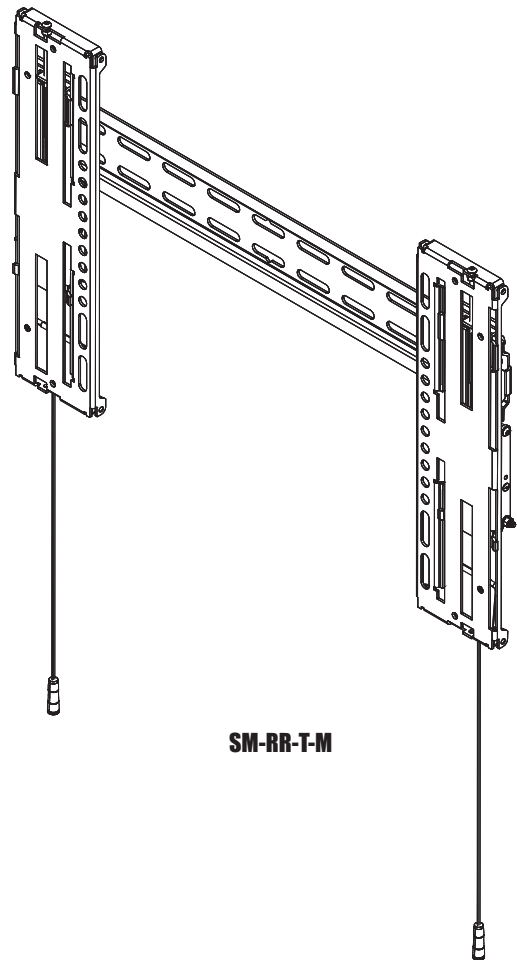
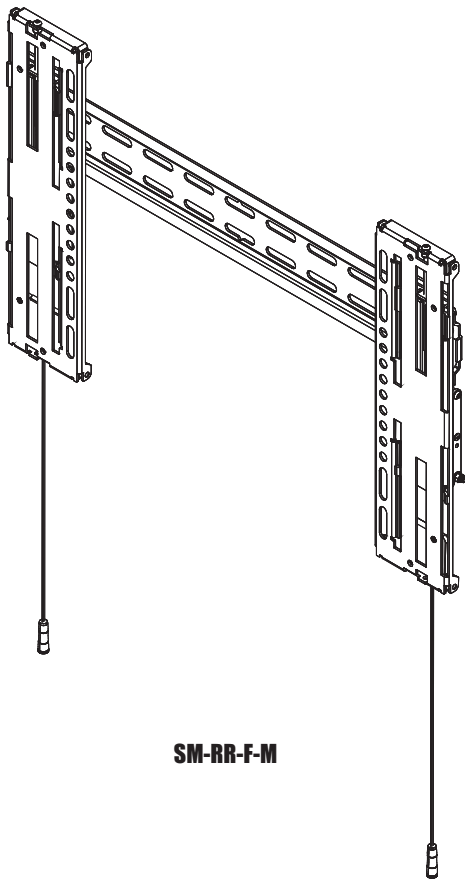




SM-RR-F-M / SM-RR-T-M

**Strong™ Razor Series Universal Fixed and Tilt Mount
for Medium Displays**



INSTALLATION MANUAL

WARNINGS:

- These wall mounts are intended for use only with the maximum weight capacities listed below.
- Installation by a qualified professional is highly recommended for this product.
- Do not begin installation until you thoroughly read and understand these instructions.
- Ensure the mounting wall will safely support four times the combined weight of the mount and display panel.
- The manufacturer does not accept responsibility for incorrect installation.

CAUTION:

Use with heavier than the maximum weight indicated may result in instability which could possibly cause injury.

AVERTISSEMENTS:

- Ces supports muraux sont pour être utilisés seulement avec les capacités de poids maximales ci-dessous.
- L'installation par un professionnel qualifié est fortement recommandée pour ce produit.
- Ne commencez pas l'installation avant d'avoir lu et compris ces instructions.
- Assurez-vous que le mur de montage supporte en toute sécurité quatre fois le poids total du support et du panneau d'affichage.
- Le fabricant n'accepte aucune responsabilité pour une installation incorrecte.

MISE EN GARDE:

une utilisation avec un poids plus haut que le poids maximal indiqué peut provoquer une instabilité et ainsi des blessures.

Specifications

- **Maximum Weight**
 - Tilt: SM-RR-T-M: 80 lbs
 - Fixed: SM-RR-F-M: 80 lbs
- **Tilt Range**
 - Tilt: SM-RR-T-M: +11° / -0°
 - Fixed: SM-RR-F-M: +0° / -7°
 - Post Install Adjustment: 2.86"

Tools Required

- Power Drill
- 5/16" and 3/32" Drill bit
- Phillips Screwdriver
- Level
- Socket Wrench with 1/2 Socket head

Box Contents

- Wall Plate (1)
- Arm Left (1)
- Arm Right (1)
- Hardware Kit

Fixed & Tilt											
		Horizontal Measurement (mm)									
		50	75	100	200	300	400	500	600	700	800
Vertical Measurement (mm)	50	M, L, XL	M, L, XL	M, L, XL	M, L, XL	M, L, XL	M, L, XL	L, XL	L, XL	XL	XL
	75	M, L, XL	M, L, XL	M, L, XL	M, L, XL	M, L, XL	M, L, XL	L, XL	L, XL	XL	XL
	100	M, L, XL	M, L, XL	M, L, XL	M, L, XL	M, L, XL	M, L, XL	L, XL	L, XL	XL	XL
	200	M, L, XL	M, L, XL	M, L, XL	M, L, XL	M, L, XL	M, L, XL	L, XL	L, XL	XL	XL
	300	M, L, XL	M, L, XL	M, L, XL	M, L, XL	M, L, XL	M, L, XL	L, XL	L, XL	XL	XL
	400	L, XL	L, XL	L, XL	L, XL	L, XL	L, XL	L, XL	L, XL	XL	XL
	500	XL	XL	XL	XL	XL	XL	XL	XL	XL	XL
	600	XL	XL	XL	XL	XL	XL	XL	XL	XL	XL

HARDWARE KIT

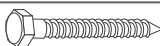

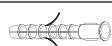
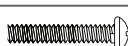
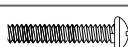
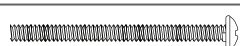
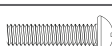









IMAGE	DESCRIPTION	ITEM	QUANTITY
	Lag Bolt	(A) 8 × 63 mm	5
	Lag Washer	(B) 8.4 × 16 × 2 mm	5
	Concrete Anchor	(C) 10 × 50 mm	5
	Screw	(D) M4 × 20 mm	4
	Screw	(E) M6 × 20 mm	4
	Screw	(F) M6 × 40 mm	4
	Screw	(G) M8 × 20 mm	4
	Screw	(H) M8 × 40 mm	4

IMAGE	DESCRIPTION	ITEM	QUANTITY
	Screw	(I) M8 × 50 mm	4
	Spacer	(J) 8.5 × 5 mm	4
	Spacer	(K) 8.5 × 10 mm	4
	Spacer	(L) 8.5 × 19 mm	4
	Spacer	(M) 8.5 × 22 mm	4
	M6 Washer	(N) 6.4 × 18 × 2 mm	8
	M8 Washer	(O) 8.4 × 20 × 2 mm	8
	Hex Wrench	(P) M3 × 260 mm	1

INSTALLATION:

Step 1: Mount the Wall Bracket Assembly

For Mounting on a Wood-Stud Wall

1. Pre-drill holes into two wood studs using a 3/32" drill bit. Be sure to drill into the center of the studs at least 2-1/2" deep. The use of a stud finder is highly recommended.
2. Insert four Lag Bolts (A) and Washer (B) into holes through the Wall Plate and tighten down (Figure 1).

WARNING: Studs must be a minimum of 2"×4" and covered with no more than 3/8" thick drywall.

WARNING: Tighten bolts so that wall plate is firmly attached, but do not overtighten. Overtightening can damage the bolts, greatly reducing their holding strength.

For Mounting on a Concrete Wall

3. Pre-drill holes into concrete using 5/16" drill bits to a depth of 2 -1/2". Insert concrete wall anchors (C) and tap in with hammer, if necessary (Figure 2).
4. Insert four Lag Bolts (A) and Washers (B) into holes through the Wall Plate and tighten (Figure 1).

WARNING: When installing wall arm assembly on cinder block, verify first that you have a minimum of 1-3/8" of concrete thickness to be used for the concrete anchors. *Do not drill into mortar joints!* Be sure to mount in a solid part of the block, generally 1" minimum from the side of the block. Cinder block must meet ASTM C-90 specifications. It is suggested that a standard electric drill on slow setting is used to drill the hole instead of a hammer drill to avoid breaking out the back of the hole when entering a void or cavity.

CONCRETE must be 2500 psi density minimum. Lighter density concrete may not hold concrete anchor. Make sure that the supporting surface will safely support the combined load of the equipment and all attached hardware and components.

5. Insert four Lag Bolts (A) into the wall anchors (C) through the Wall Plate. Tighten all bolts.

WARNING: Tighten bolts so that wall plate is firmly attached, but do not overtighten. Overtightening can damage the bolts, greatly reducing their holding strength.

Figure 1

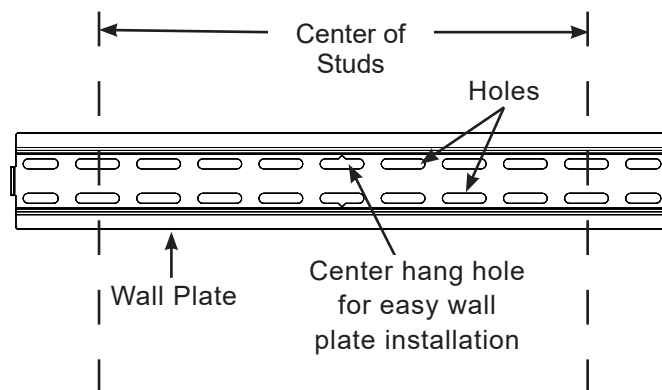
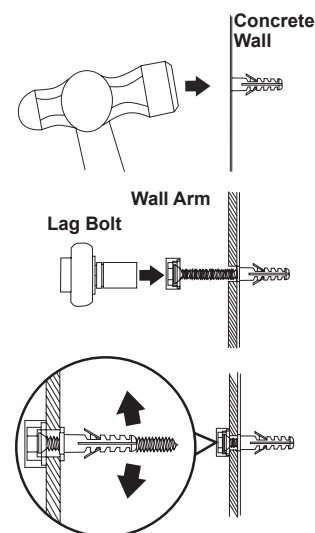


Figure 2

Drill holes and insert anchors.

Place wall arm assembly plate over anchor and secure with lag bolt. Tighten all lag bolts.



Step 2: Mount Arms to TV

1. Determine the diameter of the screw (parts D through I) your TV requires by carefully trying to hand-thread one into the threaded insert on the rear of the TV. If there is any resistance, stop immediately.
2. Thread the screw through the washer (N or O), arm, spacer (parts J through M), and into the TV.

NOTE: Spacers are commonly needed on TVs with curved backs or recessed screw inserts.

3. Ensure the arms are installed flat side to TV and are square to each other after all screws have been installed (Figure 3).

Step 3: Hang TV on to the Wall Plate

Carefully lift the TV to hook the arms over the top lip of the wall plate (Figure 4). The bottom of the arms will then rest on the top edge of the locking mechanism. The locking mechanism can be released by pulling the pull strings down and allowing the TV to slide into place. Once you release the pull strings the TV will be locked. Do not release the TV until it is completely connected to the wall plate.

NOTE: It is easier to hang the TV if the tilt feature is first expanded so that the hook is extended away from the back of the TV and bracket.

Adjustments:

Tilt Adjustment

Turn Tilt Adjustment Bolt (Figure 5) clockwise to tighten grip; counter-clockwise to loosen grip.

Post-Install Level Adjustment

If display is not horizontally level when mounted, adjustment screws are included at the top of each arm for micro-adjustments (Figure 6). Use the provided hex wrench (P) to raise or lower the screw and adjust the mount accordingly.

Up and Out Adjustment (Fixed Only)

Fixed mounts include an Up and Out feature for easy access to ports on the sides and back of displays. To get the most adjustment out of this feature be sure to pull the display toward you and directly away from the wall (Figure 7).

NOTE: Take caution to avoid slips or drops.

Lifetime Limited Warranty

Strong™ Mounts have a Lifetime Limited Warranty. This warranty includes parts and labor repairs on all components found to be defective in material or workmanship under normal conditions of use. This warranty shall not apply to products which have been abused, modified or disassembled. Products to be repaired under this warranty must be returned to SnapAV or a designated service center with prior notification and an assigned return authorization (RA) number.

For Technical Support call 1.866.838.5052

Figure 3

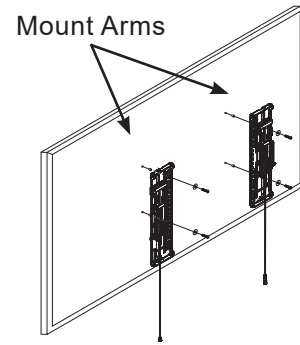


Figure 4
Mount Arm

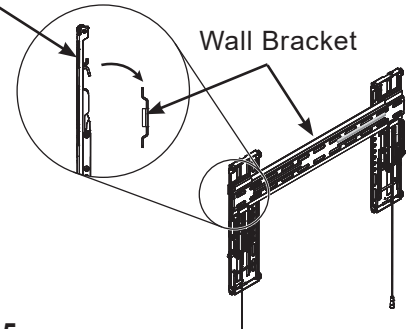


Figure 5

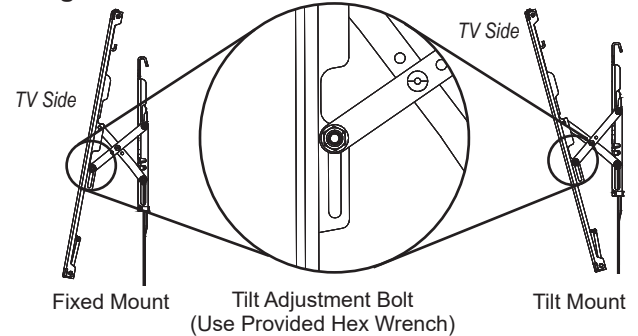


Figure 6

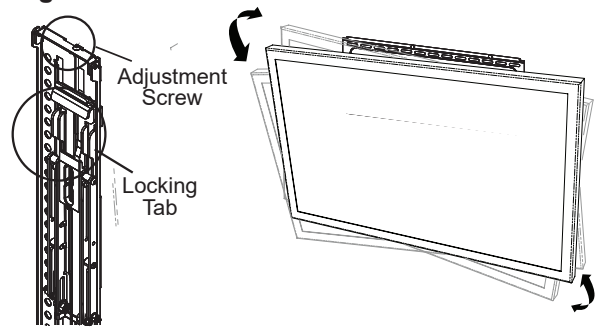


Figure 8

Pull out and away from the wall

