

# SAMSUNG

# FULL MANUAL

---

## HW-LST70T

Imagine the possibilities

Thank you for purchasing this Samsung product.

To receive more complete service, please register  
your product at [www.samsung.com/register](http://www.samsung.com/register)

# SAFETY INFORMATION









## SAFETY WARNINGS

TO REDUCE THE RISK OF ELECTRIC SHOCK, DO NOT REMOVE THE COVER (OR BACK).

NO USER-SERVICEABLE PARTS ARE INSIDE.

REFER SERVICING TO QUALIFIED SERVICE PERSONNEL.

Refer to the table below for an explanation of symbols which may be on your Samsung product.

	<p style="text-align: center;"><b>CAUTION</b> <b>RISK OF ELECTRIC SHOCK.</b> <b>DO NOT OPEN.</b></p>	
	<p>This symbol indicates that high voltage is present inside. It is dangerous to make any kind of contact with any internal part of this product.</p>	
	<p>This symbol indicates that this product has included important literature concerning operation and maintenance.</p>	
	<p>Class II product : This symbol indicates that it does not require a safety connection to electrical earth (ground). If this symbol is not present on a product with a power cord, the product <b>MUST</b> have a reliable connection to protective earth (ground).</p>	
	<p>AC voltage : This symbol indicates that the rated voltage marked with the symbol is AC voltage.</p>	
	<p>DC voltage : This symbol indicates that the rated voltage marked with the symbol is DC voltage.</p>	
	<p>Caution, Consult instructions for use : This symbol instructs the user to consult the user manual for further safety related information.</p>	

## WARNING

- To prevent injury, this apparatus must be securely attached to the floor/wall in accordance with the installation instructions.

## CAUTION

- To turn this apparatus off completely, you must pull the power plug out of the wall socket. Consequently, the power plug must be easily and readily accessible at all times.

## CAUTION (for Canada)

This device contains licence-exempt transmitter(s)/receiver(s) that comply with Innovation, Science and Economic Development Canada's licence-exempt RSS(s). Operation is subject to the following two conditions:

- (1) This device may not cause interference.
- (2) This device must accept any interference, including interference that may cause undesired operation of the device.

This device and its antenna(s) must not be co-located or operation in conjunction with any other antenna or transmitter.

This device may automatically discontinue transmission if there is no information to transmit, or an operational failure. Note that this is not intended to prohibit the transmission of control or signaling information or the use of repetitive codes where required by the technology.

**This Class B digital apparatus complies with Canadian ICES-003.**

## Radiation Exposure Statement

This equipment complies with IC RSS-102 radiation exposure limits set forth for an uncontrolled environment. This equipment should be installed and operated with minimum distance 20 cm between the radiator & your body.

## Important Safety Instructions

Read these operating instructions carefully before using the unit. Follow all the safety instructions listed below. Keep these operating instructions handy for future reference.

1. Read these instructions.
2. Keep these Instructions.
3. Heed all warnings.
4. Follow all instructions.
5. Clean only with dry cloth.
6. Do not block any ventilation openings.  
Install in accordance with the manufacturer's instructions.
7. Do not install near any heat sources such as radiators, heat registers, stoves, or other apparatus (including amplifiers) that produce heat.
8. Do not defeat the safety purpose of the polarized or grounding-type plug.  
A polarized plug has two blades with one wider than the other. A grounding type plug has two blades and a third grounding prong. The wide blade or the third prong are provided for your safety. If the provided plug does not fit into your outlet, consult an electrician for replacement of the obsolete outlet.

9. Protect the power cord from being walked on or pinched particularly at plugs, convenience receptacles, and the point where they exit from the apparatus.
10. Only use attachments/accessories specified by the manufacturer.
11. Use only with the cart, stand, tripod, bracket, or table specified by the manufacturer, or sold with the apparatus.  
When a cart is used, use caution when moving the cart/apparatus combination to avoid injury from tip-over.
12. Unplug this apparatus during lightning storms or when unused for long periods of time.
13. Refer all servicing to qualified service personnel. Servicing is required when the apparatus has been damaged in any way, such as damage to the power-supply cord or plug, product malfunction, and product fall-down.



# PRECAUTIONS

1. Ensure that the AC power supply in your house complies with the power requirements listed on the identification sticker located on the bottom of your product. Install your product horizontally, on a suitable base (furniture), with enough space around it for ventilation (3~4 inches). Make sure the ventilation slots are not covered. Do not place the unit on amplifiers or other equipment which may become hot. This unit is designed for continuous use. To fully turn off the unit, disconnect the AC plug from the wall outlet. Unplug the unit if you intend to leave it unused for a long period of time.
2. During thunderstorms, disconnect the AC plug from the wall outlet. Voltage peaks due to lightning could damage the unit.
3. Do not expose the unit to direct sunlight or other heat sources. This could lead to overheating and cause the unit to malfunction.
4. Protect the product from excess heat (e.g. a fireplace) or equipment creating strong magnetic or electric fields. Unplug the power cable from the AC wall socket if the unit malfunctions. Your product is not intended for industrial use. It is for personal use only. Condensation may occur if your product has been stored in cold temperatures. If transporting the unit during the winter, wait approximately 2 hours until the unit has reached room temperature before using.
5. The battery used with this product contains chemicals that are harmful to the environment. Do not dispose of the battery in the general household trash. Do not expose the battery to excess heat, direct sunlight, or fire. Do not short circuit, disassemble, or overheat the battery. Danger of explosion if the battery is replaced incorrectly. Replace only with the same or equivalent type.
6. Despite the IP55 rating, your Soundbar is not impervious to water damage in any situation. To help prevent damage to your product, avoid the product being subjected to:
  - Water projected by a source greater than 0.25 inches (6.3 mm) against enclosure from any direction or submersion in water;
  - Water projected at greater than 30 KPa (4.4 PSI) with a water volume greater than 12.5 L/minute for more than 3 minutes; and
  - Extreme weather conditions.














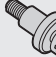




# CONTENTS

<b>01</b>	<b>Checking the Components</b>	<b>7</b>
	Inserting Batteries before using the Remote Control (AAA batteries X 2)	8
<b>02</b>	<b>Product Overview</b>	<b>9</b>
	Front Panel / Bottom Panel of the Soundbar	9
	Rear Panel of the Soundbar	10
<b>03</b>	<b>Using the Remote Control</b>	<b>11</b>
	How to Use the Remote Control	11
	Using the Hidden Buttons (Buttons with more than one function)	14
	Output specifications for the different sound effect modes	14
	Adjusting the Soundbar volume with a TV remote control	15
<b>04</b>	<b>Connecting the Soundbar</b>	<b>16</b>
	Connecting Electrical Power	16
	How to mount the AC/DC adapter	16
<b>05</b>	<b>Using a wired connection to the TV</b>	<b>17</b>
	Connecting using an Optical Cable	17
<b>06</b>	<b>Using a wireless connection to the TV</b>	<b>19</b>
	Method 1. Connecting via Bluetooth	19
	Method 2. Connecting via Wi-Fi	21
<b>07</b>	<b>Connecting an External Device</b>	<b>22</b>
	Connecting using an Optical Cable	22

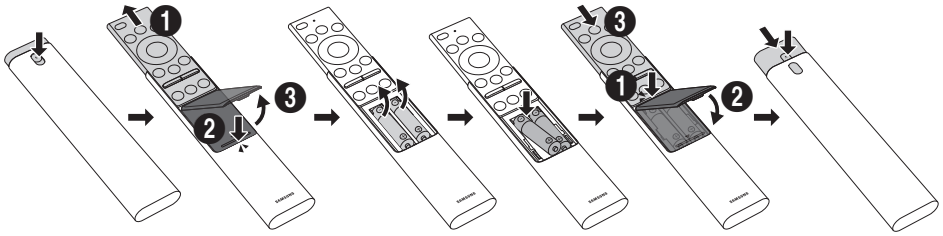
<b>08</b>	<b>Connecting a Mobile Device</b>	<b>23</b>
	Method 1. Connecting via Bluetooth	23
	Method 2. Connecting via Wi-Fi (Wireless Network)	26
	Using the Tap Sound	27
<b>09</b>	<b>Connecting an Amazon product</b>	<b>28</b>
	Connect and use with an Amazon product (Amazon Echo)	28
	Use voice commands to control the Soundbar	28
<b>10</b>	<b>Installing the Wall Mount</b>	<b>29</b>
	Installation Precautions	29
	Method 1. TV mount	29
	Method 2. Wall mount	32
<b>11</b>	<b>Software Update</b>	<b>34</b>
	Auto Update	34
	USB Update	34
	Initialization	34
<b>12</b>	<b>Troubleshooting</b>	<b>35</b>
<b>13</b>	<b>License</b>	<b>36</b>
<b>14</b>	<b>Open Source License Notice</b>	<b>37</b>
<b>15</b>	<b>Important Notes About Service</b>	<b>37</b>
<b>16</b>	<b>Specifications and Guide</b>	<b>38</b>
	Specifications	38

# 01 CHECKING THE COMPONENTS

					
Soundbar Main Unit		Soundbar Remote Control / Batteries		Optical Cable	
					
AC/DC Adapter		Wall Mount Guide		Holder-Screw x 2	
					
Bracket-Top x 2	Bracket-Bottom x 2	Bracket-Guide x 2		Bracket-Wall Mount x 2	
					
Screw-Taptype x 4 (M3 x L10)	Screw-Machine x 2 (M4 x L10)	Bolt-Etc x 2 (M6 x L10)	A/S Bolt-Etc x 2	Anchor / Screw x 2	Anchor / Screw x 2 (M5 x L50)
Screw-Taptype	Screw-Machine	Bolt-Etc	A/S Bolt-Etc	Anchor / Screw	

- For more information about the power supply and power consumption, refer to the label attached to the product. (Label: Bottom of the Soundbar Main Unit)
- To purchase additional components or optional cables, contact a Samsung Service Center or Samsung Customer Care.
- For Soundbar wall mounting components, see pages 29~33.
- This Soundbar is intended only for TV mount or wall mount.
- Design, specifications, and App screen are subject to change without prior notice.
- The appearance of the accessories may differ slightly from the illustrations above.

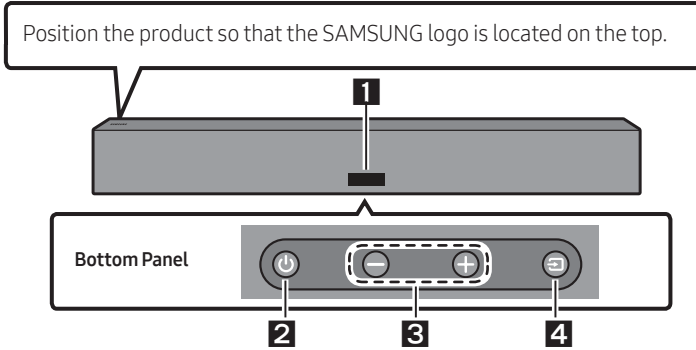
## Inserting Batteries before using the Remote Control (AAA batteries X 2)



1. Press the **▲** button at the top rear of the Soundbar remote control. The body will pop out slightly from the body cover.
2. Turn the remote over, push the body of the remote upwards until the battery compartment is revealed, and then remove the battery cover.
3. If there are batteries in the remote, to remove the existing batteries.
4. Insert two new batteries (1.5V AAA type) into the battery compartment making sure that the batteries' polarities (+, -) are oriented correctly.
5. Once the batteries have been inserted, attach the battery cover and then slide down the body of the remote.
6. Turn the remote over, press and hold the **▲** button on the top rear, and then slide the body of the remote down into place.
  - Alkaline batteries are recommended for longer battery life.

# 02 PRODUCT OVERVIEW

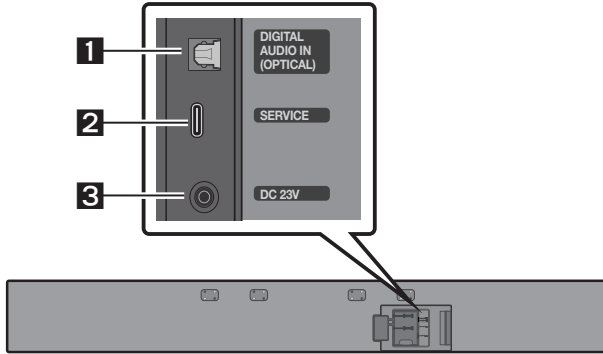
## Front Panel / Bottom Panel of the Soundbar



<b>1</b>	<b>Display</b> Displays the product's status and current mode.								
<b>2</b>	<b>⏻ (Power) Button</b> Turns the power on and off.								
<b>3</b>	<b>— + (Volume) Button</b> Adjusts the volume.								
<b>4</b>	<b>📺 (Source) Button</b> Selects the source input mode. <table border="1"><thead><tr><th>Input mode</th><th>Display</th></tr></thead><tbody><tr><td>Optical Digital input</td><td>D.IN</td></tr><tr><td>Wi-Fi mode</td><td>WIFI</td></tr><tr><td>BLUETOOTH mode</td><td>BT</td></tr></tbody></table>	Input mode	Display	Optical Digital input	D.IN	Wi-Fi mode	WIFI	BLUETOOTH mode	BT
Input mode	Display								
Optical Digital input	D.IN								
Wi-Fi mode	WIFI								
BLUETOOTH mode	BT								

- When you plug in the AC cord, the power button will begin working in 4 to 6 seconds.
- When you turn on this unit, there will be a 4 to 5 second delay before it produces sound.
- If you hear sounds from both the TV and Soundbar, go to the **Settings** menu for the TV audio and change the TV speaker to **External Speaker**.

# Rear Panel of the Soundbar

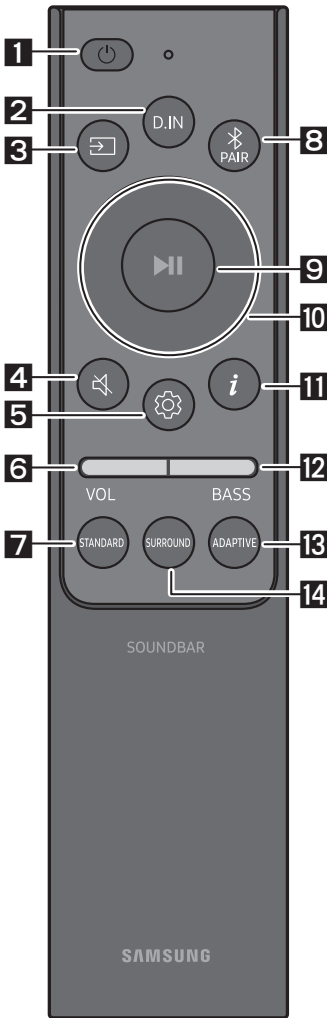









<b>1</b>	<b>DIGITAL AUDIO IN (OPTICAL)</b> Connect to the digital (optical) output of an external device. (See page 22)
<b>2</b>	<b>SERVICE</b> Connect a USB storage device to upgrade the product's software.
<b>3</b>	<b>DC 23V (Power Supply In)</b> Connect the AC/DC power adaptor. (See page 16)



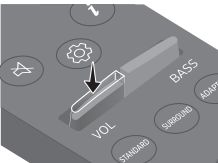






- When disconnecting the power cable of the AC/DC power adaptor from a wall outlet, pull the plug. Do not pull the cable.
- Do not connect this unit or other components to an AC outlet until all connections between components are complete.

# 03 USING THE REMOTE CONTROL


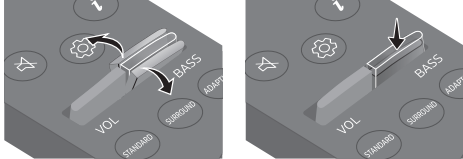


## How to Use the Remote Control




<p><b>1</b></p>  <p><b>Power</b></p>	<p>Turns the Soundbar on and off.</p> <ul style="list-style-type: none"> <li>• <b>Auto Power Down Function</b> The unit turns off automatically in the following situations: <ul style="list-style-type: none"> <li>- In <b>D.IN</b> / <b>Wi-Fi</b> / <b>BT</b> mode if there is no audio signal for 18 minutes.</li> </ul> </li> </ul>
<p><b>2</b></p>  <p><b>D.IN</b></p>	<p>Press to enter the “<b>D.IN</b>” mode.</p>
<p><b>3</b></p>  <p><b>Source</b></p>	<p>Press to select a source connected to the Soundbar.</p>
<p><b>4</b></p>  <p><b>Mute</b></p>	<p>Press the  (<b>Mute</b>) button to mute the sound. Press it again to unmute the sound.</p>
<p><b>5</b></p>  <p><b>Sound Control</b></p>	<p>When pressed, the setting items such as <b>TREBLE</b>, or <b>SYNC</b> are displayed in sequence. The desired item can be adjusted using the <b>Up/Down</b> buttons.</p> <ul style="list-style-type: none"> <li>- To adjust the <b>TREBLE</b> volume, select Sound Control → <b>TREBLE</b>, and then use the <b>Up/Down</b> buttons to adjust the volume within a -6 to +6 range.</li> <li>- Press and hold the  (<b>Sound Control</b>) button for about 5 seconds to adjust the sound for each frequency band. 150Hz, 300Hz, 600Hz, 1.2kHz, 2.5kHz, 5kHz, and 10kHz are selectable using the <b>Left/Right</b> buttons and each can be adjusted to a setting between -6 to +6 using the <b>Up/Down</b> buttons. (Make sure the Sound mode is set to “<b>STANDARD</b>”.)</li> <li>- If the video on the TV and audio from the Soundbar are not synchronized, select <b>SYNC</b> in Sound Control, and then set the audio delay between 0~300 milliseconds by using the <b>Up/Down</b> buttons.</li> <li>- <b>SYNC</b> is only supported for some functions.</li> </ul>

<p><b>6</b></p>	<p> VOLUME</p>	<div style="display: flex; justify-content: space-around;">   </div> <p>Push the button up or down to adjust the volume.</p> <ul style="list-style-type: none"> <li>• <b>Mute</b> Press the <b>VOL</b> button to mute the sound. Press it again to unmute the sound.</li> </ul>
<p><b>7</b></p>	<p> STANDARD</p>	<p>Press this button to outputs the original sound.</p>
<p><b>8</b></p>	<p> Bluetooth PAIR</p>	<p>Switch the Soundbar to Bluetooth pairing mode. Press the button and wait for the “<b>BT PAIRING</b>” screen to connect to a new Bluetooth device.</p>
<p><b>9</b></p>	<p> Play / Pause</p>	<p>You can also play or pause music by pressing the button.</p>
<p><b>10</b></p>	<p> Up/Down/ Left/Right</p>	<div style="display: flex; align-items: center;">  <div style="margin-left: 20px;"> <p><b>Press the indicated areas to select Up/Down/Left/Right.</b></p> <p>Press Up/Down/Left/Right on the button to select or set functions.</p> <ul style="list-style-type: none"> <li>• <b>Repeat</b> To use the Repeat function, press the <b>Up</b> button.</li> <li>• <b>Music Skip</b> Press the <b>Right</b> button to select the next music file. Press the <b>Left</b> button to select the previous music file.</li> </ul> </div> </div>
<p><b>11</b></p>	<p> Info</p>	<p>When pressed, the information for the connected sources and Bluetooth devices appears.</p>



<b>12</b>	 <b>BASS</b>	 <p>Push this button up or down to adjust the bass volume within a -6 to +6 range.</p>
<b>13</b>	 <b>ADAPTIVE</b>	<p>Press this button to analyzes the content in real time and automatically provides the optimal sound field based on the characteristics of the content.</p>
<b>14</b>	 <b>SURROUND</b>	<p>Press this button to provide a wider sound stage than standard.</p>

## Using the Hidden Buttons (Buttons with more than one function)

Hidden Button		Reference page
Remote Control Button	Function	
BASS (Up)	TV remote control On/Off (Standby)	page 15
 (Sound Control)	7 Band EQ	page 11

## Output specifications for the different sound effect modes

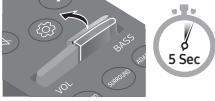
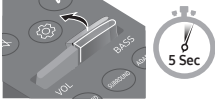
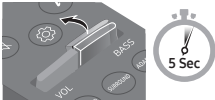
Effect	Input	Output
STANDARD	2.0 ch	2.0 ch
	5.1 ch	3.0 ch
SURROUND	2.0 ch	3.0 ch
	5.1 ch	3.0 ch
ADAPTIVE	2.0 ch	2.0 ch
	5.1 ch	3.0 ch

# Adjusting the Soundbar volume with a TV remote control

Adjust the Soundbar volume using the TV's remote control.

- This function can be used with IR remote controls only. Bluetooth remote controls (remote controls that require pairing) are not supported.
- Set the TV speaker to **External Speaker** to use this function.
- Manufacturers supporting this function:  
VIZIO, LG, Sony, Sharp, PHILIPS, PANASONIC, TOSHIBA, Hisense, RCA

1. Turn Off the Soundbar.
2. Push up and hold the **BASS** button for 5 seconds.  
Each time you push the **BASS** button up and hold it for 5 seconds, the mode switches in the following order: "**SAMSUNG-TV REMOTE**" (Default mode), "**OFF-TV REMOTE**", "**ALL-TV REMOTE**".

Remote Control Button	Display	Status
	(Default mode) <b>SAMSUNG-TV REMOTE</b>	Enable a Samsung TV's IR remote control.
	<b>OFF-TV REMOTE</b>	Disable the TV remote control.
	<b>ALL-TV REMOTE</b>	Enable a third-party TV's IR remote control.

# 04 CONNECTING THE SOUNDBAR

## Connecting Electrical Power

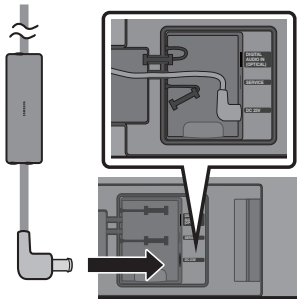
Connect the Soundbar to an electrical outlet in the following order:

1. Connect the AC/DC adapter to the Soundbar.
2. Connect the power cord to a wall socket.
  - For more information about the required electrical power and power consumption, refer to the label attached to the product.  
(Label: Bottom of the Soundbar Main Unit)

### NOTES

- If you unplug and reconnect the power cord when the product is turned on, the Soundbar turns on automatically.
- Never forcibly pull the power cord of AC/DC adapter.
- When installing the AC/DC adapter horizontally, place it with the Samsung logo facing upward.
- This product may not operate safely under -4°F (-20 °C). It is recommended to connect the power cable to the outlet and after 1 hour, turn on the Soundbar power .

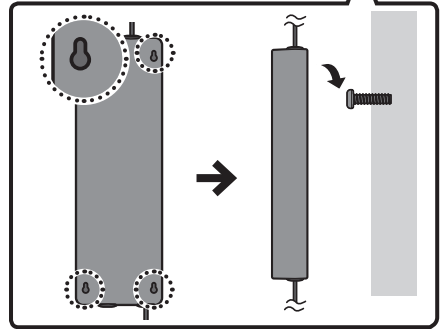
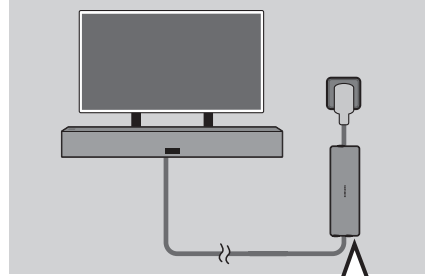
### AC/DC Adapter



Rear of the Soundbar Main Unit

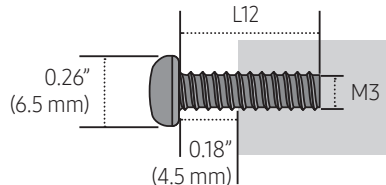
- While the cable is not in use, seal it with waterproof silicone.

## How to mount the AC/DC adapter



- Tighten 2 or 4 screws (not supplied) on the wall or table and then insert them into the grooves on the rear of the AC/DC adapter. You cannot install the adapter directly on the floor.
- For the mounting screws, see the following figures.

### Recommended Screw specification (not supplied)



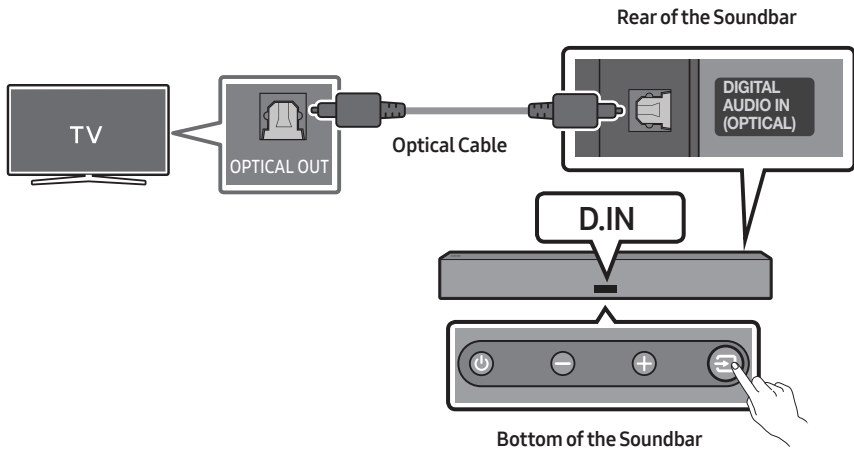
# 05 USING A WIRED CONNECTION TO THE TV


## Connecting using an Optical Cable

When the audio in a broadcast is encoded in Dolby Digital and the “Digital Output Audio Format” on your TV is set to PCM, we recommend that you change the setting to Dolby Digital. When the setting on the TV is changed, you will experience better sound quality. (The TV menu may use different words for Dolby Digital and PCM depending on the TV manufacturer.)

### Pre-connection Checklist

- When using the Soundbar outdoors, it is recommended to connect an Optical cable for smooth sound output.
- Be sure to use the optical cable provided with the product.
- To purchase any optical cable separately, contact the nearest dealer or Samsung Service Center.
- The optical cable provided with the product is designed to meet the specification (0.16 inches (4 mm)) for waterproofing. When using an optical cable purchased from other site, the waterproof function may not work properly.
- When you use an optical cable and the terminals have covers, be sure to remove the covers.



1. With the TV and Soundbar turned off, connect the **DIGITAL AUDIO IN (OPTICAL)** port on the Soundbar and the OPTICAL output port on the TV with the optical cable, as shown in the figure.
2. Turn on the Soundbar and TV.
3. Select “**D.IN**” mode by pressing the  (**Source**) button on the bottom of the Soundbar or the **D.IN** button on the Soundbar remote control.
4. The TV sound is output from the Soundbar.

# 06 USING A WIRELESS CONNECTION TO THE TV

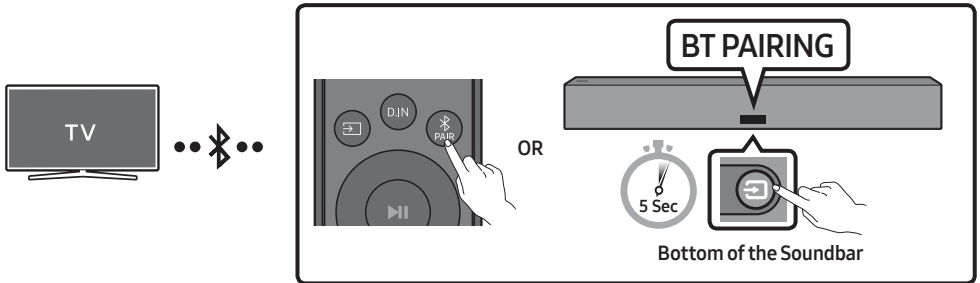
## Pre-connection Checklist

- When used outdoors, wireless performance may degrade. Accordingly, use the provided optical cable if possible.

## Method 1. Connecting via Bluetooth

When a Samsung TV is connected using Bluetooth, you can hear stereo sound without the hassle of cabling.

- Only one Samsung TV can be connected at a time.
- Samsung TV that supports Bluetooth can be connected. Check the specifications of your TV.



## The initial connection

1. Press the **PAIR** button on the Soundbar remote control to enter the **"BT PAIRING"** mode.

- (OR)** a. Press the **Source** button on the bottom panel and then select **"BT"**.

**"BT"** changes to **"BT PAIRING"** in a few seconds automatically or changes to **"BT READY"** if there is a connect record.

- b. When **"BT READY"** appears, press and hold the **Source** button on the bottom panel of the Soundbar for more than 5 seconds to display **"BT PAIRING"**.

2. Select Bluetooth mode on the Samsung TV.

(e.g. Home (🏠) → Settings (⚙️) → Sound → Sound Output → Bluetooth Speaker List → [AV] Samsung Soundbar LST70T (Bluetooth))

3. Select “[AV] Samsung Soundbar LST70T” from the list on TV’s screen.

An available Soundbar is indicated with “Needs Pairing” or “Paired” on the TV’s Bluetooth device list. To connect the Samsung TV to the Soundbar, select the message, and then establish a connection.

- When the Samsung TV is connected, [TV] Name → “BT” appears on the Soundbar’s front display.


4. You can now hear Samsung TV sound from the Soundbar.

- After you have connected the Soundbar to your Samsung TV the first time, use the “BT READY” mode to reconnect.

### If the device fails to connect



- If you have an existing Soundbar (e.g., [AV] Samsung Soundbar LST70T) on the list of speakers on the Samsung TV, delete it.
- Then repeat steps 1 through 3.

## Disconnecting the Soundbar from the Samsung TV

Press the  (Source) button on the bottom panel or on the remote control and switch to any mode but “BT”.

- Disconnecting takes time because the Samsung TV must receive a response from the Soundbar. (The time required may differ, depending on the Samsung TV model.)

## What is the difference between BT READY and BT PAIRING?

- **BT READY** : In this mode, you can reconnect any Samsung TV or mobile device that was connected before.
- **BT PAIRING** : In this mode, you can connect a new device to the Soundbar. (Press the  PAIR button on the Soundbar remote control or press and hold the  (Source) button on the bottom of the Soundbar for more than 5 seconds while the Soundbar is in “BT” mode.)



## Notes on Bluetooth connection

- Locate a new device within 3.28 ft (1 m) to connect via Bluetooth communication.
- If asked for a PIN code when connecting a Bluetooth device, enter <0000>.
- The Soundbar automatically turns off after 18 minutes in the Ready state.
- The Soundbar may not perform Bluetooth search or connection correctly under the following circumstances:
  - If there is a strong electrical field around the Soundbar.
  - If several Bluetooth devices are simultaneously paired with the Soundbar.
  - If the Bluetooth device is turned off, not in place, or malfunctions.
- Electronic devices may cause radio interference. Devices that generate electromagnetic waves must be kept away from the Soundbar main unit - e.g., microwaves, wireless LAN devices, etc.

## Method 2. Connecting via Wi-Fi

### Pre-connection Checklist

- Wi-Fi connection is available only on Samsung TV.
- Check whether **the wireless router (Wi-Fi)** is turned on and the **TV is connected to the router**.
- The TV and Soundbar must be connected to the same wireless network (Wi-Fi).
- If your wireless router (Wi-Fi) uses a DFS channel, you will not be able to establish a Wi-Fi connection between the TV and Soundbar. Contact your Internet service provider for details.
- Because the menus may differ depending on the year of manufacture, refer to your TV manual.
- To connect the TV to the Soundbar via Wi-Fi, connect the Soundbar to the wireless router first. See page 26 for details on how to establish a Wi-Fi connection.

1. For more information about Wi-Fi connection to the Soundbar, see page 26, "**Method 2. Connecting via Wi-Fi (Wireless Network)**".

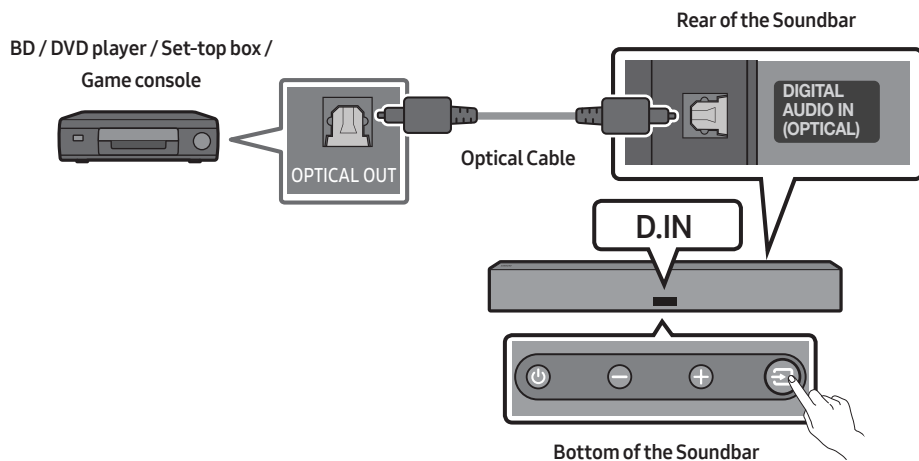
2. Change the input source of the TV by using the Audio menu to Soundbar.


- **Samsung TVs released in 2017 or later**

Home (🏠) → Settings (⚙️) → Sound → Sound Output → [AV] Samsung Soundbar LST70T (Wi-Fi)

# 07 CONNECTING AN EXTERNAL DEVICE

## Connecting using an Optical Cable



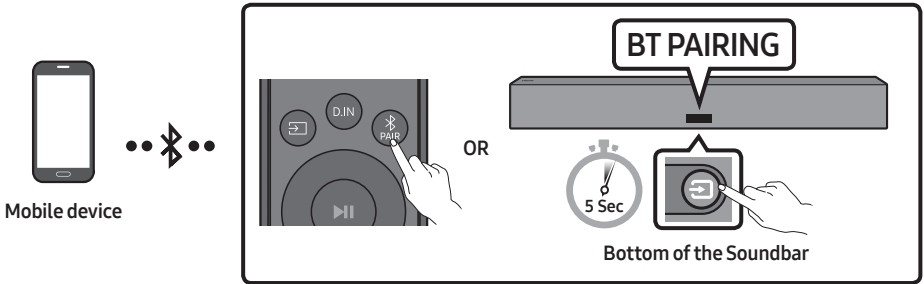
1. Use an optical cable to connect the **DIGITAL AUDIO IN (OPTICAL)** on the Soundbar main and the **OPTICAL OUT** port on the external device.
2. Turn on the Soundbar and external device.
3. Select “**D.IN**” mode by pressing the  (**Source**) button on the bottom of the Soundbar or the **D.IN** button on the Soundbar remote control.
4. Your Soundbar will play sounds from the external device.

# 08 CONNECTING A MOBILE DEVICE

## Method 1. Connecting via Bluetooth

When a mobile device is connected using Bluetooth, you can hear stereo sound without the hassle of cabling.

- When you connect a paired Bluetooth device with the Soundbar off, the Soundbar automatically turns on.



### The initial connection

- When connecting to a new Bluetooth device, make sure the device is within 3.28 ft (1 m) distance.

1. Press the **PAIR** button on the Soundbar remote control to enter the **"BT PAIRING"** mode.

(OR) a. Press the **(Source)** button on the bottom panel and then select **"BT"**.

**"BT"** changes to **"BT PAIRING"** in a few seconds automatically or changes to **"BT READY"** if there is a connect record.

b. When **"BT READY"** appears, press and hold the **(Source)** button on the bottom panel of the Soundbar for more than 5 seconds to display **"BT PAIRING"**.

2. On your device, select **"[AV] Samsung Soundbar LST70T"** from the list that appears.

- When the Soundbar is connected to the Mobile device, **[Mobile Device Name]** → **"BT"** appears in the front display.



3. Play music files from the device connected via Bluetooth through the Soundbar.

- After you have connected the Soundbar to your mobile device the first time, use the **"BT READY"** mode to reconnect.

### **If the device fails to connect**

- If you have an existing Soundbar (e.g., “[AV] Samsung Soundbar LST70T”) in the list of speakers on the Mobile device, delete it.
- Repeat steps 1 and 2.

### **What is the difference between BT READY and BT PAIRING?**

- **BT READY** : In this mode, you can reconnect any Samsung TV or mobile device that was connected before.
- **BT PAIRING** : In this mode, you can connect a new device to the Soundbar. (Press the  **PAIR** button on the Soundbar remote control or press and hold the  (**Source**) button on the bottom of the Soundbar for more than 5 seconds while the Soundbar is in “**BT**” mode.)

### **Notes on Bluetooth connection**

- Locate a new device within 3.28 ft (1 m) to connect via Bluetooth communication.
- If asked for a PIN code when connecting a Bluetooth device, enter <0000>.
- The Soundbar automatically turns off after 18 minutes in the Ready state.
- The Soundbar may not perform Bluetooth search or connection correctly under the following circumstances:
  - If there is a strong electrical field around the Soundbar.
  - If several Bluetooth devices are simultaneously paired with the Soundbar.
  - If the Bluetooth device is turned off, not in place, or malfunctions.
- Electronic devices may cause radio interference. Devices that generate electromagnetic waves must be kept away from the Soundbar main unit - e.g., microwaves, wireless LAN devices, etc.
- The Soundbar supports SBC data (44.1kHz, 48kHz).
- Connect only to a Bluetooth device that supports the A2DP (AV) function.
- You cannot connect the Soundbar to a Bluetooth device that supports only the HF (Hands Free) function.
- When connecting the Soundbar to a Bluetooth device, place them as close to each other as possible.
- The farther the Soundbar and Bluetooth device are from each other, the lower the sound quality will become.

The Bluetooth connection may break when the devices are out of the effective range.
- The Bluetooth connection may not function as intended in areas with poor reception.

- A Bluetooth device may experience noise or malfunction under in the following conditions:
  - When the body is in contact with the signal transceiver on the Bluetooth device or Soundbar
  - In corners or when there is an obstacle in proximity, such as a wall or partition, where electrical changes may occur.
  - When exposed to radio interferences by other products operating on the same frequency ranges, such as medical equipment, microwave ovens, and wireless LAN devices.
  - Obstacles such as doors and walls may still impact the sound quality even when the devices are within the effective range.
- Note that your Soundbar cannot be paired with other Bluetooth devices while using the Bluetooth option.
- This wireless device may cause electrical interference during operation.

### **Disconnecting the Bluetooth device from a Soundbar**

You can disconnect a Bluetooth device from the Soundbar. For instructions, see the Bluetooth device's user manual.

- The Soundbar will be disconnected.
- When the Soundbar is disconnected from the Bluetooth device, the Soundbar will display "**BT DISCONNECTED**" on the front display.

### **Disconnecting the Soundbar from the Bluetooth device**

Press the  (**Source**) button on the bottom panel or on the remote control, and then change to any mode except "**BT**".

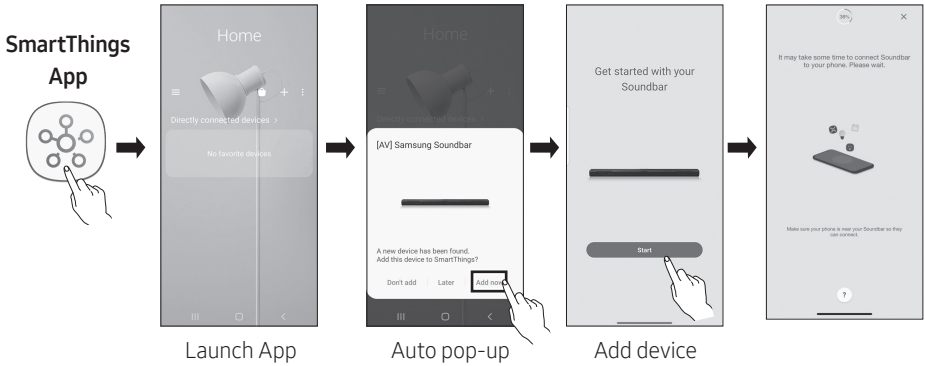
- Disconnecting takes time because the Bluetooth device must receive a response from the Soundbar. (Disconnection time may differ, depending on the Bluetooth device)
- When the Soundbar is disconnected from the Bluetooth device, the Soundbar will display "**BT DISCONNECTED**" on the front display.

## Method 2. Connecting via Wi-Fi (Wireless Network)

To connect a Soundbar to a mobile device via a wireless network (Wi-Fi), the **SmartThings** app is required.

### The initial connection

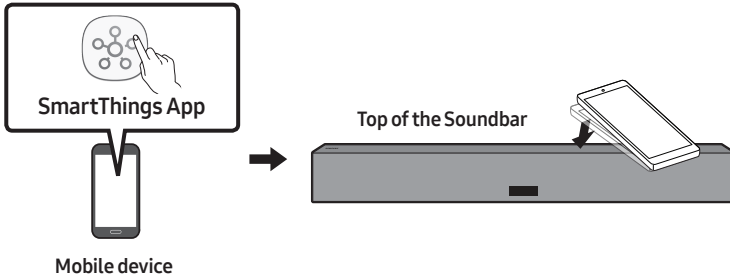
1. Install and launch the **SmartThings** app from your mobile device (smartphone or tablet).
2. On the app, follow the screen instructions to add the Soundbar.
  - The automatic pop-up (the second screenshot below) may not show on some devices. If the pop-up does not appear, press “+” on the **Home** screen. The Soundbar is added to the app.



# Using the Tap Sound

Tap the Soundbar with your mobile device to play the sound of content on the mobile device through the Soundbar.

- This function may not be supported, depending on the mobile device.
- This function is only compatible with Samsung mobile devices with Android 8.1 or later.



1. Turn on the **Tap Sound** function on your mobile device.
  - For details on how to turn on the function, refer to "**Setting the Tap Sound function**" below.
2. Tap the Soundbar with the mobile device. Select "**Start now**" in the displayed message window. A connection is established between the mobile device and Soundbar via Bluetooth.
3. Play the sound of content on the mobile device through the Soundbar.
  - This function connects a mobile device to the Soundbar via Bluetooth by detecting vibration that occurs when the device touches the Soundbar.
  - Make sure the mobile device does not tap a sharp corner of the Soundbar. The Soundbar or mobile device may become scratched or damaged.
  - It is recommended that the mobile device be covered with a case. Lightly tap the wide area in the upper portion of the Soundbar, without using excessive force.
  - To use this function, update the **SmartThings** app to the latest version. The function may not be supported, depending on the app version.

## Setting the Tap Sound function

Use the **SmartThings** app to turn on the **Tap View, Tap Sound** function.

1. On the mobile device, run the **SmartThings** app.
2. Select (☰ → ⚙️) in the **SmartThings** app screen displayed on the mobile device.
3. Set "**Tap View, Tap Sound**" to On to allow the function to work when a mobile device moves close to the Soundbar. The function is turned on.

## NOTES

- When the mobile device is in power-saving mode, the **Tap Sound** function does not work.
- The **Tap Sound** function may not work if there are devices near the Soundbar that cause radio interference such as electric devices. Make sure devices that may cause radio interference are placed at a sufficient distance away from the Soundbar.

# 09 CONNECTING AN AMAZON PRODUCT

- This feature may not be available in some countries.
- This service is provided by Amazon and can be terminated at any time. Samsung does not assume responsibility for service availability.
- **Amazon Alexa** app screen is subject to change without prior notice.

## Connect and use with an Amazon product (Amazon Echo)

Use an Amazon Echo product to control your Soundbar and enjoy music services provided by Amazon Echo.

### NOTE

- Confirm that the Soundbar is connected to Wi-Fi. (Refer to "Method 2. Connecting via Wi-Fi (Wireless Network)")

## Use voice commands to control the Soundbar

- The Amazon Echo service you can use with your Soundbar is limited to music. Other services provided by Amazon Echo, such as news and weather, can only be accessed through your Amazon Echo product.



Trigger + Command + Speaker name

### \* To use voice commands for the Soundbar named "Living room"

Action	Voice Command
To set the volume level to 5	"Alexa Set the volume to 5 on Living room"
To increase the volume level	"Alexa Volume up on Living room"
To mute the sound	"Alexa Mute on Living room"
To listen to a radio station named KISS FM	"Alexa Play Kiss FM on Living room"
To play the next song	"Alexa Next song on Living room"
To stop the audio	"Alexa Stop on Living room"
To turn the audio off	"Alexa Turn off on Living room"



# 10 INSTALLING THE WALL MOUNT

## Installation Precautions

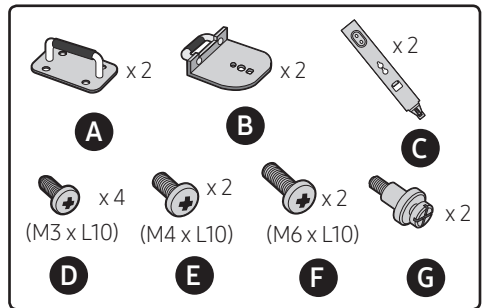
- Install on a vertical wall only.
- Verify whether the wall is strong enough to support the product's weight. If not, reinforce the wall or choose another installation point.
- Purchase and use the fixing screws or anchors appropriate for the kind of wall you have (plaster board, iron board, wood, etc.). If possible, fix the support screws into wall studs.
- Purchase wall mounting screws according to the type and thickness of the wall you want to mount the Soundbar on.
  - Diameter: M5
  - Length: 1 3/8 inches (35 mm) or longer recommended.
- Connect cables from the unit to external devices before you install the Soundbar on the wall.
- Make sure the unit is turned off and unplugged before you install it. Otherwise, it may cause an electric shock.
- When installing the Soundbar, keep away from direct sunlight or other heat sources (e.g. a fireplace).
- When leaving the Soundbar outdoors, dust or foreign substances may accumulate. When not in use, be sure to keep it covered with a cloth or cover.
- For more information about TV installation on a wall, refer to the TV's wall mounting guide.
- Samsung does not assume the responsibility for the damage caused by improper installation of the product.
- It is recommended that the Soundbar is installed undercover, protected from extreme weather conditions.

## Method 1. TV mount

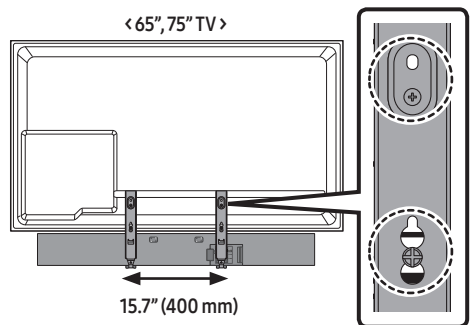
### Pre-connection Checklist

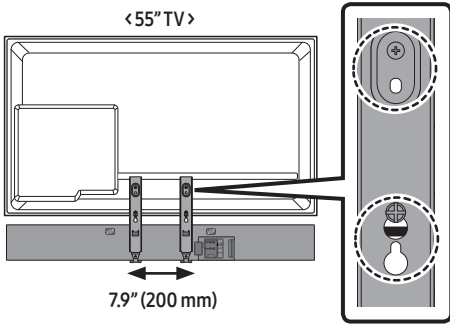
- This Soundbar is compatible with the Samsung outdoor TV model called "The Terrace" with the following model names: QN\*\*LST\*\*, GQ\*\*LST\*\*, QA\*\*LST\*\*, QE\*\*LST\*\* (e.g., QN65LST7T)

### TV mount Components

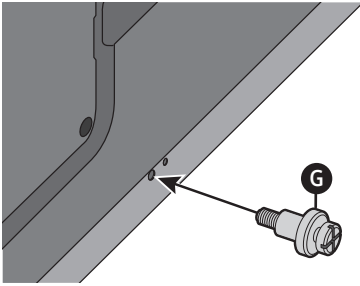


### Installation Example

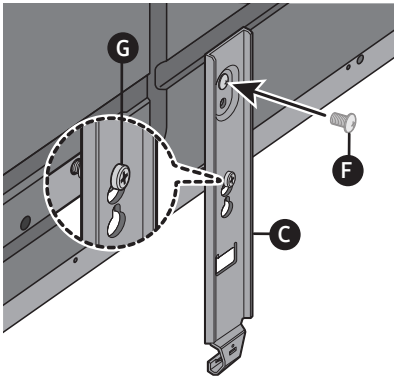




1. < Rear of the Samsung TV >



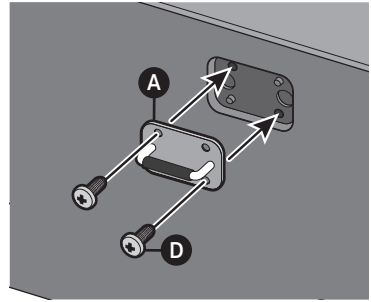
2. < Rear of the Samsung TV >



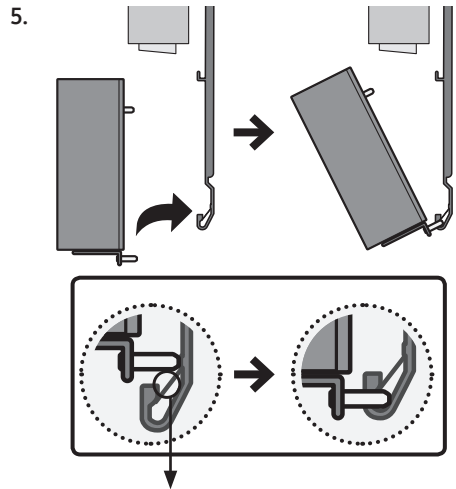
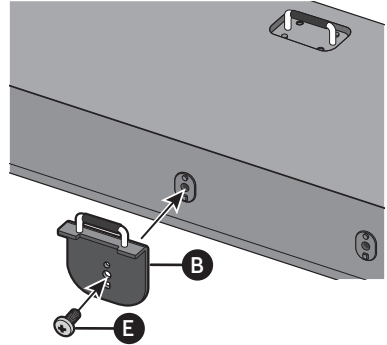
- Tighten the TV with it lying down

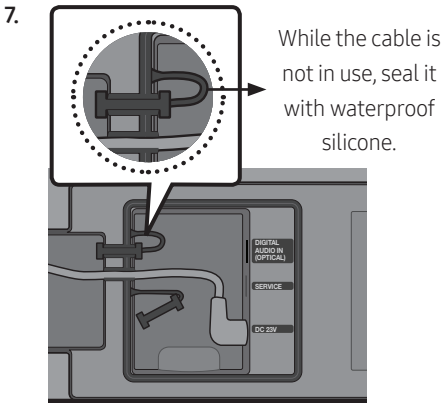
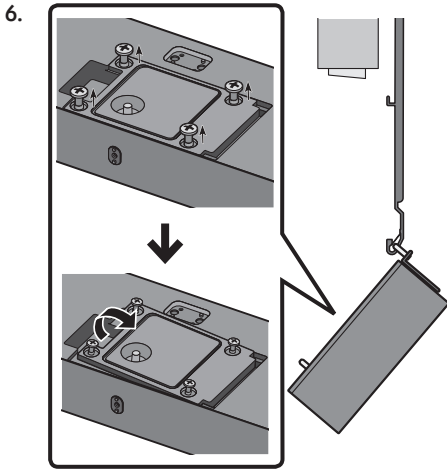


3. < Rear of the Soundbar >

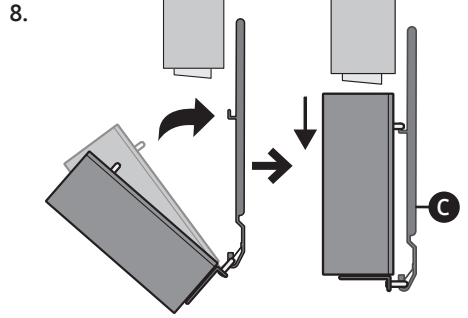


4. < Bottom of the Soundbar >



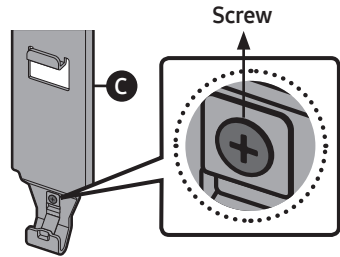


- After the cable is connected, close its cover and then tighten the loosened screws.



- Before hooking up the Soundbar to **C**, slightly lift the product and then push it down for assembly.

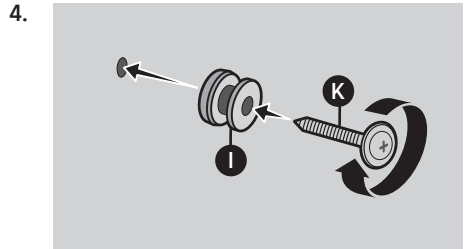
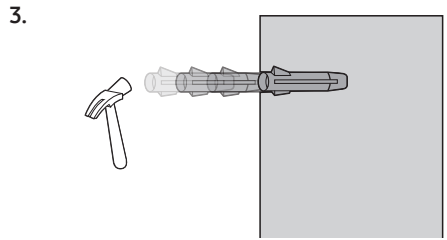
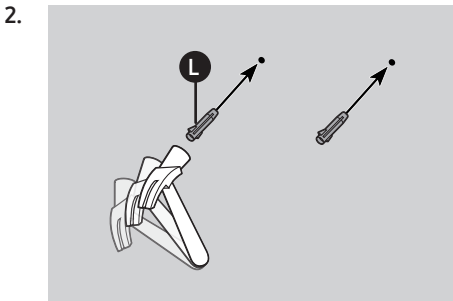
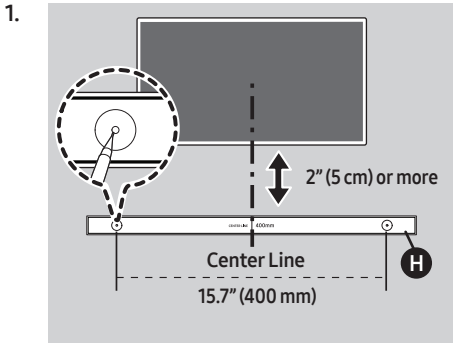
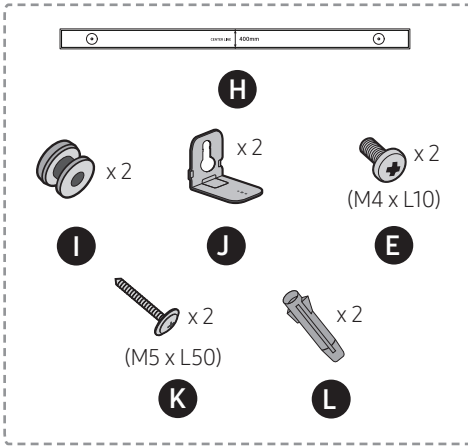
#### NOTES



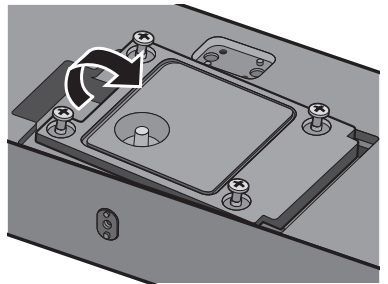
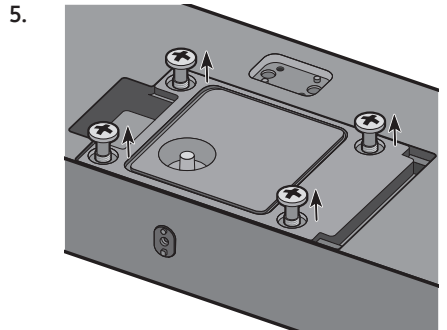
- When separating the Soundbar from the TV, please loosen the screw on the **C**.
- When removing the Soundbar, be careful because the deviation preventing plate may be deformed.

# Method 2. Wall mount

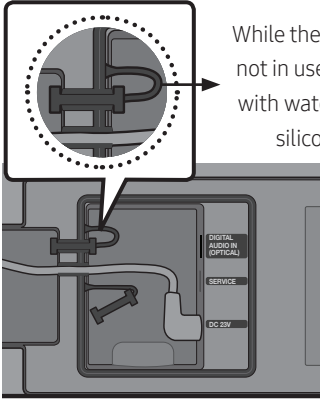
## Wallmount Components



• Recommended torque : 10~12 kgf.cm



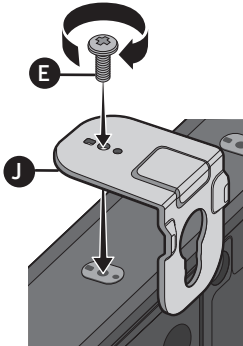
6.



While the cable is not in use, seal it with waterproof silicone.

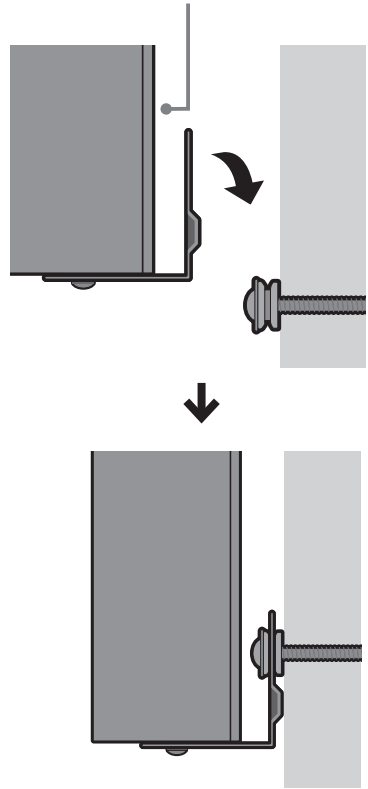
- After the cable is connected, close its cover and then tighten the loosened screws.

7.



8.

Rear of the Soundbar



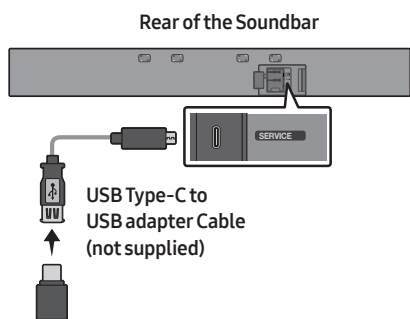
# 11 SOFTWARE UPDATE

## Auto Update

When the Soundbar is connected to the Internet, software updates automatically occur even when the Soundbar is turned off.

- To use the Auto Update function, the Soundbar must be connected to the Internet. The Wi-Fi connection to the Soundbar will be terminated if the Soundbar's power cord is disconnected or the power is cut off. If the power is cut off, when the power comes back on or you reconnect the power cord, turn on the Soundbar, and then reconnect it to the Internet.

## USB Update

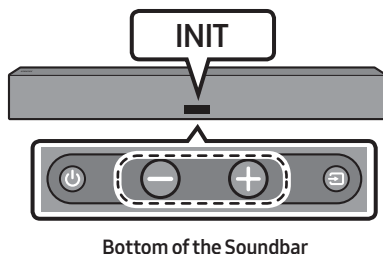


**Samsung may offer updates for the Soundbar's system firmware in the future.**

When an update is available, you can update the Soundbar by connecting the USB drive that contains the update firmware to the **SERVICE** port of the Soundbar.

1. Go to the Samsung Electronics website ([www.samsung.com](http://www.samsung.com)) → search for the model name from the customer support menu option.
  - For more information about update, refer to Upgrade Guide.
2. Download the upgrade file (USB type-C).
3. Unzip the file to create a folder with the file name.
4. Store the created folder in a USB and then connect it to the Soundbar.
5. Turn on the Soundbar. Then the product is updated within 3 minutes with displaying the message, "**UPDATE**".
  - During update, do not turn it off or remove the USB.
  - If "**UPDATE**" does not appear on the display window, remove the power cord from the Soundbar and then reconnect it.
  - When the latest version is installed, no update is performed.
  - Depending on the USB type, update may not be supported.

## Initialization



With the Soundbar on, press the **— + (Volume)** buttons on the body at the same time for at least 5 seconds. "**INIT**" appears on the display and then the Soundbar is initialized.

### ⚠ CAUTION

- All the settings of the Soundbar are initialized. Be sure to perform this only when initialization is required.

# 12 TROUBLESHOOTING

Before seeking assistance, check the following.

## In case the power is not turned on

- Check whether the power cord of the Soundbar is correctly inserted into the outlet.

## In case the functions do not work properly

- After removing the power cord, insert it again.
- Remove the power cord from the external device and try again.
- If there is no signal, the Soundbar automatically turns off after a certain period of time. Turn on the power. (See page 11).

## In case the remote control does not work

- Operate the remote control noting the Soundbar closely.
- Replace the batteries with new ones.

## In case the Soundbar sound is not output

- The volume of the Soundbar is too low or muted. Adjust the volume.
- When any external device (STB, Bluetooth device, mobile device, etc.) is connected, adjust the volume of the external device.
- For sound output of the TV, select Soundbar. (Samsung TV: Home (🏠) → Settings (⚙️) → Sound → Sound Output → Select Soundbar)

- The cable connection to the Soundbar may not be loose. Remove the cable and connect again.
- Remove the power cord completely, reconnect, and turn the power on.
- Initialize the product and try again. (See page 34.)

## In case Bluetooth connection is not possible

- When connecting a new device, switch to **"BT PAIRING"** for connection. (Press the **✳️ PAIR** button on the remote control or press the **📺 (Source)** button on the body for at least 5 seconds.)
- If the Soundbar is connected to another device, disconnect that device first to switch the device.
- Reconnect it after removing the Bluetooth speaker list on the device to connect. (Samsung TV: Home (🏠) → Settings (⚙️) → Sound → Sound Output → Bluetooth Speaker List)
- The automatic TV connection may be disabled. While the Soundbar is in **"BT READY"**, press and hold the **▶||** button on the Soundbar remote control for 5 seconds to select **ON-TV CONNECT**. If you see **OFF-TV CONNECT**, press and hold **▶||** button again for 5 seconds to switch the selection.
- Remove and reconnect the power plug, then try again.
- Initialize the product and try again. (See page 34.)

### In case Bluetooth sound breaking occurs

- Sounds may be breaking due to interference by radio frequency or electronic devices nearby. Keep such devices away from the Soundbar to avoid radio interference. Example: microwave ovens.
- Because the device to connect is far away from the Soundbar, sound breaking may occur. Move the device near the Soundbar.
- If a part of your body is in contact with the Bluetooth transceiver or the product is installed on metal furniture, sound breaking may occur. Check the installation environment and conditions for use.

### In case Wi-Fi connection is not possible

- Check whether your wireless router is on.
- Turn off the router, turn it back on, and then try again.
- When the signal of the wireless router is too weak, connection may not be possible. Move the router near the Soundbar or adjust the installed position with no obstacles.
- If your wireless router is new, you will need to reconfigure the speaker's network settings.

### In case the Soundbar is not turned on as soon as the TV is turned on

- When you turn off the Soundbar while watching TV, power synchronization with the TV is disabled. First turn off the TV.

## 13 LICENSE



Manufactured under license from Dolby Laboratories. Dolby, Dolby Audio, Pro Logic, and the double-D symbol are trademarks of Dolby Laboratories.



For DTS patents, see <http://patents.dts.com>. Manufactured under license from DTS Licensing Limited. DTS, the Symbol, DTS in combination with the Symbol, and DTS Digital Surround are registered trademarks or trademarks of DTS, Inc. in the United States and/or other countries. © DTS, Inc. All Rights Reserved.



- The Spotify Software is subject to third party licenses found here : [www.spotify.com/connect/third-party-licenses](http://www.spotify.com/connect/third-party-licenses).
- For more information about Spotify Connect, please visit [www.spotify.com/connect](http://www.spotify.com/connect)



## **14 OPEN SOURCE LICENSE NOTICE**

To send inquiries and requests for questions regarding open sources, contact Samsung Open Source (<http://opensource.samsung.com>)

## **15 IMPORTANT NOTES ABOUT SERVICE**

Figures and illustrations in this User Manual are provided for reference only and may differ from actual product appearance.

# 16 SPECIFICATIONS AND GUIDE

## Specifications

Model Name	HW-LST70T
Weight	14.8 lbs (6.7 kg)
Dimensions (W x H x D)	48.0 x 5.5 x 2.1 inches (1220.0 x 140.0 x 53.5 mm)
Operating Temperature Range	-22°F to 122°F (-30°C to 50°C)
Operating Humidity Range	10% to 80%, non-condensing
Storage Temperature Range	-4°F to 122°F (-20°C to 50°C)
Storage Humidity Range	5% to 95%, non-condensing
AMPLIFIER Rated Output power	(45W x 4) + (10W x 3)
Supported play formats	LPCM 2ch, Dolby Audio™ (supporting Dolby® Digital), DTS

### NOTES

- Samsung Electronics Co., Ltd reserves the right to change the specifications without notice.
- Weight and dimensions are approximate.
- The marked dust and water resistant grade (IP grade) is based on the international standard. The figure consists of a protection level against solid (dust) and a protection level against liquid (water). This Soundbar supports the dust and water resistant level equivalent to IP55. An IP55 rating means that under test conditions the product is protected against quantities of dust that could interfere with the normal operation of the product but is not fully dust-tight. The product is completely protected against solid objects. It is also protected against low pressure water jets projected by a nozzle (<0.25 inches (6.3 mm)) from any angle and at <30 KPa (4.4 PSI) with water volume up to 12.5 L/min for up to 3 mins with with limited ingress permitted. According to accredited test results, individual results may vary.

Note: IP55 rating does not mean that the product is impervious to water damage in any situation.

Wi-Fi Port deactivation method	Press the <b>BASS</b> button on the Soundbar remote control for 30 seconds to turn Wi-Fi On / Off.
Bluetooth Port deactivation method	Press the <b>Info</b> button on the Soundbar remote control for 30 seconds to turn Bluetooth On / Off.



## LIMITED WARRANTY TO ORIGINAL PURCHASER

Samsung Electronics Canada Inc.(SECA), warrants that this product is free from defective material and workmanship.

SECA further warrants that if this product falls to operate properly within the specified warranty period and the failure is due to improper workmanship or defective materials, SECA will repair or replace the product at its option.

All warranty repairs must be performed by a SECA Authorized Service Center. (The name and address of the location nearest you can be obtained by calling toll free: 1- 800- SAMSUNG)

LABOR  
One year (Carry- in)

PARTS  
One year

On carry-in models, transportation to and from the service center is the customer's responsibility.

The original dated sales receipt must be retained by the customer and is the only acceptable proof of purchase. It must be presented to the authorized service center at the time service is requested.

### EXCLUSIONS (WHAT IS NOT COVERED)

This warranty does not cover damage due to accident, fire, flood and/ or other acts of God; misuse, incorrect line voltage, improper installation, improper or unauthorized repairs, commercial use or damage that occurs in shipping. Exterior and interior finish, lamps, glass are not covered under this warranty. Customer adjustments which are explained in the instruction manual are not covered under the terms of this warranty. This warranty will automatically be voided for any unit found with a missing or altered serial number. This warranty is valid only on products purchased and used in Canada.

**Samsung Electronics Canada Inc**

**2050 Derry Rd West**

**Mississauga, On. L5N 0B9**

**Tel: 1-800-SAMSUNG (726-7864)**

**Fax: (905) 542- 1199**

**Website: [www.samsung.com/ca](http://www.samsung.com/ca)**

# SAMSUNG

© 2020 Samsung Electronics Co., Ltd. All rights reserved.

## Contact SAMSUNG WORLD WIDE

If you have any questions or comments relating to Samsung products, please contact the SAMSUNG customer care Center.

### HEADQUARTERS

Samsung Electronics Canada Inc. 2050 Derry Road West, Mississauga, Ontario L5N 0B9 Canada

TEL: 1-800-SAMSUNG (1-800-726-7864)

[www.samsung.com/ca/support](http://www.samsung.com/ca/support)

Area	Contact Center ☎	Web Site
■ North America		
CANADA	1-800-SAMSUNG (726-7864)	<a href="http://www.samsung.com/ca/support">www.samsung.com/ca/support</a> (English) <a href="http://www.samsung.com/ca_fr/support">www.samsung.com/ca_fr/support</a> (French)
U.S.A	1-800-SAMSUNG (726-7864)	<a href="http://www.samsung.com/us/support">www.samsung.com/us/support</a>

**SAMSUNG**

# MANUEL COMPLET

---

## HW-LST70T

Imaginez les possibilités

Merci d'avoir choisi un appareil Samsung.

Pour recevoir une assistance plus complète,  
veuillez enregistrer votre produit sur









[www.samsung.com/register](http://www.samsung.com/register)

# INFORMATIONS RELATIVES À LA SÉCURITÉ

## AVERTISSEMENTS

POUR ÉVITER LES RISQUES DE CHOC ÉLECTRIQUE, NE DÉMONTÉZ PAS LE CAPOT. L'APPAREIL NE CONTIENT PAS DE PIÈCES RÉPARABLES PAR L'UTILISATEUR. S'ADRESSER À UN SERVICE APRÈS-VENTE QUALIFIÉ.

Reportez-vous au tableau ci-dessous pour comprendre les symboles pouvant figurer sur votre produit Samsung.

	<b>MISE EN GARDE</b> <b>RISQUE DE CHOC ÉLECTRIQUE NE PAS OUVRIR</b>	
	Ce symbole indique la présence d'une haute tension à l'intérieur. Tout contact avec une pièce interne de l'appareil présente un danger.	
	Ce symbole vous informe qu'une documentation importante relative au fonctionnement et à l'entretien est fournie avec le produit.	
	Produit de catégorie II : Ce symbole indique qu'il ne nécessite pas une connexion de sécurité à la terre (masse). Si ce symbole n'est pas présent sur un produit équipé d'un cordon d'alimentation, le produit DOIT être raccordé à la terre de manière fiable à des fins de protection.	
	Tension CA : Ce symbole indique que la tension nominale est la tension CA.	
	Tension CC : Ce symbole indique que la tension nominale est la tension CC.	
	Attention, consultez les instructions aux fins d'utilisation : Ce symbole indique à l'utilisateur qu'il doit consulter le guide d'utilisation pour avoir de l'information au sujet de la sécurité.	

## AVERTISSEMENT

- Pour éviter des blessures, cet appareil doit être solidement fixé au plancher/au mur conformément aux directives d'installation.

## MISE EN GARDE

- La prise d'alimentation fait office de système de déconnexion. Elle doit donc rester disponible en permanence.

## ATTENTION (Pour le Canada)

L'émetteur/récepteur exempt de licence contenu dans le présent appareil est conforme aux CNR d'Innovation, Sciences et Développement économique Canada applicables aux appareils radio exempts de licence. L'exploitation est autorisée aux deux conditions suivantes :  
1) L'appareil ne doit pas produire de brouillage;  
2) L'appareil doit accepter tout brouillage radioélectrique subi, même si le brouillage est susceptible d'en compromettre le fonctionnement.  
Cet appareil et son ou ses antennes ne doivent pas être installés à proximité ou être utilisés conjointement avec une autre antenne ou un autre émetteur.

Le dispositif pourrait automatiquement cesser d'émettre en cas d'absence d'informations à transmettre, ou une défaillance opérationnelle. Notez que ce n'est pas l'intention d'interdire la transmission des informations de contrôle ou de signalisation ou l'utilisation de codes répétitifs lorsque requis par la technologie.

**Cet appareil numérique de la classe B est conforme à la norme NMB-003 du Canada.**

## **Declaration d'exposition aux radiations:**

Cet équipement est conforme aux limites d'exposition aux rayonnements IC RSS-102 établies pour un environnement non contrôlé. Cet équipement doit être installé et utilisé avec un minimum de 20 cm de distance entre la source de rayonnement et votre corps.

## **Consignes de sécurité importantes**

Lisez attentivement ces consignes avant d'utiliser l'appareil. Veillez à respecter toutes les consignes répertoriées ci-après. Conservez ces instructions à portée de main pour vous y référer ultérieurement.

1. Lisez attentivement ces consignes.
2. Conservez-les précieusement.
3. Tenez compte de tous les avertissements mentionnés.
4. Respectez toutes les instructions sans exception.
5. Nettoyez-le à l'aide d'un tissu sec.
6. Ne bloquez pas les ouvertures de ventilation. Installez l'appareil conformément aux instructions du fabricant.
7. N'installez pas le lecteur à proximité d'une source de chaleur de type radiateur, registre de chaleur, cuisinière ou tout autre appareil (y compris les récepteurs AV) générateur de chaleur.
8. Ne désactivez pas le dispositif de sécurité de la fiche de mise à la terre ou de la fiche polarisée. Une fiche polarisée comporte deux lames dont l'une est plus large que l'autre. Une fiche de mise à la terre comporte deux lames et une troisième broche de mise à la terre. La lame la plus large et la troisième broche sont destinées à assurer votre sécurité. Si la fiche fournie ne s'insère pas dans la prise utilisée, faites appel à un électricien pour faire remplacer celle-ci.

9. Placez le cordon d'alimentation de sorte qu'il ne puisse être ni piétiné ni pincé, particulièrement au niveau de la fiche, de la prise de courant et du point de sortie de l'appareil.

10. Utilisez exclusivement les fixations/ accessoires spécifiés par le fabricant.

11. Utilisez exclusivement le meuble à roulettes, le socle, le trépied, le support ou la table recommandés par le fabricant ou vendus avec l'appareil.



Si l'appareil est posé sur un meuble à roulettes, déplacez l'ensemble avec précaution pour éviter de faire tomber le lecteur et de vous blesser.

12. Débranchez l'appareil en cas d'orage ou lorsqu'il est inutilisé pendant une période prolongée.

13. Un dépannage est nécessaire lorsque l'appareil a été endommagé de quelque manière que ce soit, par exemple en cas d'endommagement du cordon ou de la fiche d'alimentation, de dysfonctionnement du produit ou de chute de ce dernier.

# PRÉCAUTIONS

1. Assurez-vous que le bloc d'alimentation CA chez vous est conforme aux exigences de puissance figurant sur la plaque d'identification située à en dessous de votre produit. Installez votre produit horizontalement, sur un socle approprié (meuble), en laissant un espace suffisant pour la ventilation sur le pourtour 3~4 po. Faites attention à ne pas obstruer les orifices de ventilation. Ne posez pas l'ensemble sur un amplificateur ou un autre appareil susceptible de chauffer. Cet ensemble est conçu pour une utilisation en continu. Pour éteindre totalement l'appareil, débranchez la fiche c.a. de la prise murale. Débranchez l'appareil si vous prévoyez une longue période d'inactivité.
2. En cas d'orage, débranchez la fiche de l'appareil de la prise murale. Les surtensions occasionnées par l'orage pourraient endommager votre appareil.
3. N'exposez pas l'ensemble aux rayons directs du soleil ou à toute autre source de chaleur. Cela pourrait causer une surchauffe du fil et causer un dysfonctionnement de l'unité.
4. Protégez le produit de la chaleur excessive (par exemple une cheminée) ou de tout équipement capable de créer des champs magnétiques ou électriques. Débranchez le câble d'alimentation en cas de dysfonctionnement. Votre produit n'est pas prévu pour un usage industriel. Ce produit ne peut être utilisé qu'à des fins personnelles. Une condensation peut se former si le produit ou un disque a été stocké à basse température. Si vous devez transporter l'ensemble pendant l'hiver, attendez environ 2 heures que l'appareil ait atteint la température de la pièce avant de l'utiliser.
5. Les piles utilisées dans ce produit peuvent contenir des produits chimiques dangereux pour l'environnement. Ne jetez pas les piles dans votre poubelle habituelle. Ne vous débarrassez pas des piles en les faisant brûler. Les piles ne doivent pas être court-circuitées, démontées ou subir de surchauffe. Le remplacement incorrect des piles peut entraîner un danger d'explosion. Remplacez-les uniquement par des produits similaires ou équivalents.
6. Malgré son indice IP55, votre Soundbar n'est pas étanche aux dégâts d'eau dans toutes les situations. Pour éviter d'endommager votre produit, ne l'exposez pas à :
  - Eau projetée par une source de plus de 0,25 po (6,3 mm) contre une enceinte de n'importe quelle direction ou immersion dans l'eau;
  - Eau projetée à plus de 30 KPa (4,4 PSI) avec un volume d'eau supérieur à 12,5 L/minute pendant plus de 3 minutes; et
  - Conditions météorologiques extrêmes.



















# SOMMAIRE

<b>01</b>	<b>Vérification des composants</b>	<b>7</b>
	Insertion des piles avant d'utiliser la télécommande (2 piles AAA)	8
<b>02</b>	<b>Présentation du produit</b>	<b>9</b>
	Panneau avant/Panneau inférieur du Soundbar	9
	Panneau arrière du Soundbar	10
<b>03</b>	<b>Utilisation de la télécommande</b>	<b>11</b>
	Comment utiliser la télécommande	11
	Utilisation des boutons masqués (boutons ayant plusieurs fonctions)	14
	Caractéristiques de sortie pour les différents modes d'effets sonores	14
	Réglage du volume du Soundbar avec une télécommande du téléviseur	15
<b>04</b>	<b>Connexion du Soundbar</b>	<b>16</b>
	Connexion de l'alimentation électrique	16
	Comment monter l'adaptateur CA/CC	16
<b>05</b>	<b>Utilisation d'une connexion filaire avec le téléviseur</b>	<b>17</b>
	Connexion à l'aide d'un câble optique	17
<b>06</b>	<b>Utilisation d'une connexion sans fil avec le téléviseur</b>	<b>19</b>
	Méthode 1. Connexion par Bluetooth	19
	Méthode 2. Connexion en Wi-Fi	21
<b>07</b>	<b>Connexion d'un appareil externe</b>	<b>22</b>
	Connexion à l'aide d'un câble optique	22

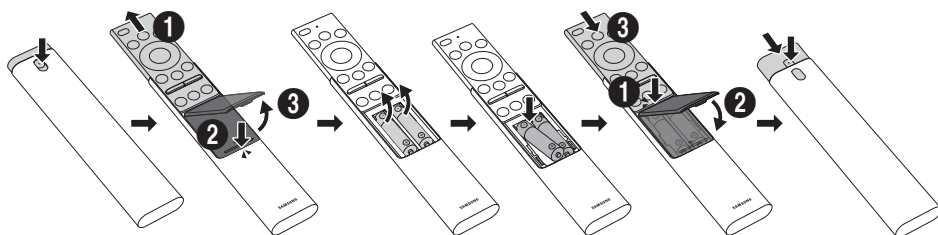
<b>08</b>	<b>Connexion d'un appareil mobile</b>	<b>23</b>
	Méthode 1. Connexion par Bluetooth	23
	Méthode 2. Connexion par Wi-Fi (réseau sans fil)	26
	Utilisation de la fonction Tap Sound	27
<b>09</b>	<b>Connecter un produit Amazon</b>	<b>28</b>
	Connecter et utiliser avec un produit Amazon (Amazon Echo)	28
	Contrôler votre Soundbar grâce à un périphérique Amazon	28
<b>10</b>	<b>Installation du support mural</b>	<b>29</b>
	Précautions d'installation	29
	Méthode 1. Fixation au téléviseur	29
	Méthode 2. Support mural	32
<b>11</b>	<b>Mise à jour logicielle</b>	<b>34</b>
	Mise à jour automatique	34
	Mise à jour USB	34
	Initialisation	34
<b>12</b>	<b>Dépannage</b>	<b>35</b>
<b>13</b>	<b>Licence</b>	<b>36</b>
<b>14</b>	<b>Avis de Licences Libres</b>	<b>37</b>
<b>15</b>	<b>Remarque Importante Concernant le Service</b>	<b>37</b>
<b>16</b>	<b>Caractéristiques et Guide</b>	<b>38</b>
	Spécifications	38

# 01 VÉRIFICATION DES COMPOSANTS

					
Unité principale du Soundbar		Télécommande/ piles du Soundbar		Câble optique	
					
Adaptateur CA/CC		Guide de montage mural		Vis de fixation	
					
Dessus du support	Dessous du support	Guide du support		Support de montage mural	
					
Vis taptite	Vis machine	Boulon Etc	Boulon Etc A/S	Ancrage / Vis	

- Pour plus d'informations sur l'alimentation et la consommation électriques, reportez-vous à l'étiquette apposée sur le produit. (Étiquette : Dessous de l'unité principale du Soundbar)
- Pour acheter des composants supplémentaires ou des câbles en option, contactez un centre de service Samsung ou le service clientèle Samsung.
- Pour les composants de fixation murale du Soundbar, reportez-vous aux pages 29~33.
- Ce Soundbar est destiné uniquement à être fixé sur un téléviseur ou sur un mur.
- La conception, les spécifications et l'écran de l'application peuvent faire l'objet d'une modification sans préavis.
- L'apparence des accessoires peut différer légèrement des illustrations ci-dessus.

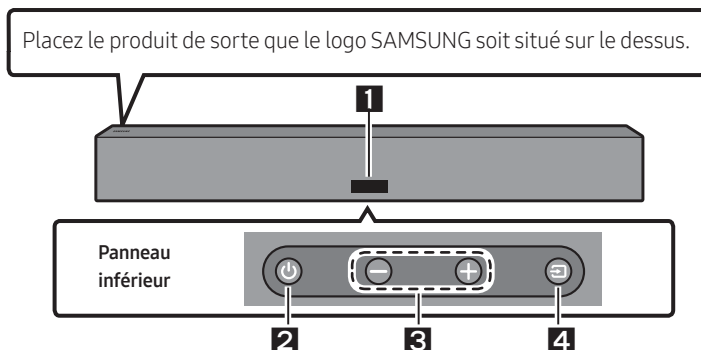
## Insertion des piles avant d'utiliser la télécommande (2 piles AAA)


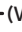




1. Appuyez sur le bouton ▲ situé sur la partie arrière supérieure de la télécommande du Soundbar. Le corps sortira légèrement de son cache.
2. Retournez la télécommande, poussez le corps de la télécommande vers le haut jusqu'à ce que le compartiment à piles apparaisse, puis retirez le couvercle.
3. S'il y a des piles dans la télécommande, retirez-les.
4. Insérez deux nouvelles piles (de type 1,5 V AAA) dans le compartiment des piles en vous assurant que les polarités (+, -) sont correctement orientées.
5. Une fois les piles insérées, placez le cache, puis faites glisser le corps de la télécommande vers le bas.
6. Retournez la télécommande, maintenez enfoncé le bouton ▲ situé sur la partie arrière supérieure, puis faites glisser le corps de la télécommande vers le bas pour le remettre en place.
  - Nous vous recommandons d'utiliser des piles alcalines pour leur plus longue autonomie.

## 02 PRÉSENTATION DU PRODUIT

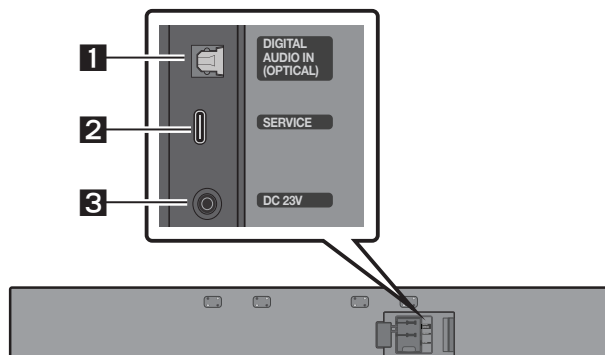
### Panneau avant/Panneau inférieur du Soundbar



<b>1</b>	<b>Écran</b> Affiche l'état du produit et le mode actuel.								
<b>2</b>	<b>Bouton  (Alimentation)</b> Permet d'allumer et d'éteindre l'appareil.								
<b>3</b>	<b>Bouton   (Volume)</b> Règle le volume.								
<b>4</b>	<b>Bouton  (Source)</b> Permet de sélectionner le mode d'entrée source.								
	<table border="1"><thead><tr><th>Mode d'entrée</th><th>Affichage</th></tr></thead><tbody><tr><td>Entrée numérique optique</td><td>D.IN</td></tr><tr><td>Mode Wi-Fi</td><td>WIFI</td></tr><tr><td>Mode BLUETOOTH</td><td>BT</td></tr></tbody></table>	Mode d'entrée	Affichage	Entrée numérique optique	D.IN	Mode Wi-Fi	WIFI	Mode BLUETOOTH	BT
Mode d'entrée	Affichage								
Entrée numérique optique	D.IN								
Mode Wi-Fi	WIFI								
Mode BLUETOOTH	BT								

- Lorsque vous branchez le câble d'alimentation CA, le bouton d'alimentation se met à fonctionner au bout de 4 à 6 secondes.
- Lorsque vous allumez cet appareil, vous devrez patienter 4 à 5 secondes avant qu'il ne produise du son.
- Si le son provient à la fois du téléviseur et du Soundbar, accédez au menu **Paramètres** correspondant au son du téléviseur et définissez le haut-parleur du téléviseur sur **Haut-p. externe**.

## Panneau arrière du Soundbar

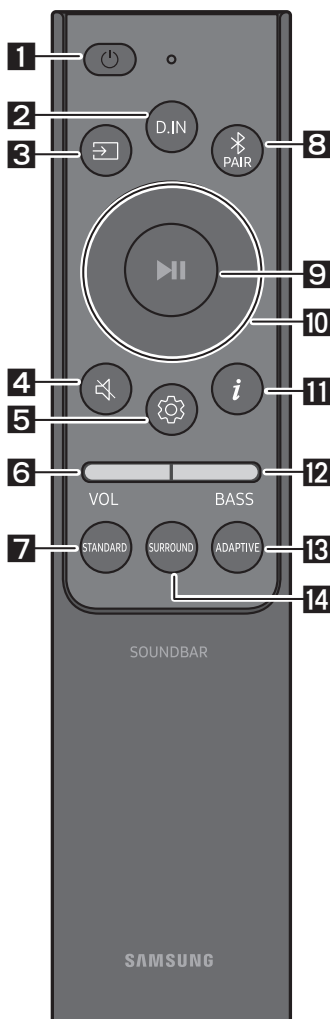


<b>1</b>	<b>DIGITAL AUDIO IN (OPTICAL)</b> Permet de connecter la sortie numérique (optique) d'un appareil externe. (Voir page 22)
<b>2</b>	<b>SERVICE</b> Connectez un périphérique de stockage USB pour mettre à niveau le logiciel du produit.
<b>3</b>	<b>DC 23V</b> (Entrée de l'alimentation) Connectez l'adaptateur secteur CA/CC. (Voir page 16)

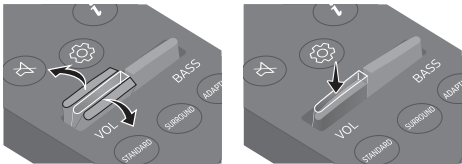

- Lorsque vous déconnectez le câble d'alimentation de l'adaptateur CA/CC de la prise murale, tirez sur la prise. Ne tirez pas sur le câble.
- Ne connectez pas cet appareil ou d'autres composants à une prise CA tant que toutes les connexions entre les composants ne sont pas établies.

# 03 UTILISATION DE LA TÉLÉCOMMANDE


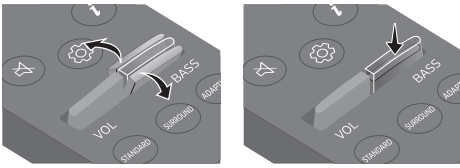


## Comment utiliser la télécommande




<b>1</b>	 Alimentation	Permet d'allumer et d'éteindre le Soundbar. <ul style="list-style-type: none"><li>• <b>Fonction Auto Power Down</b> L'appareil s'éteint automatiquement dans les situations suivantes :<ul style="list-style-type: none"><li>– En mode <b>D.IN/Wi-Fi/BT</b> en l'absence de signal audio pendant 18 minutes.</li></ul></li></ul>
<b>2</b>	 D.IN	Appuyez sur pour accéder au mode « <b>D.IN</b> ».
<b>3</b>	 Source	Appuyez sur ce bouton pour sélectionner une source connectée au Soundbar.
<b>4</b>	 Silence	Appuyez sur le bouton  ( <b>Silence</b> ) pour désactiver le son. Appuyez de nouveau sur ce bouton pour activer le son.
<b>5</b>	 Réglages sonores	Lorsque vous appuyez sur ce bouton, les éléments de réglage tels que <b>TREBLE</b> et <b>SYNC</b> s'affichent dans l'ordre. L'élément souhaité peut être ajusté à l'aide des boutons <b>Haut/Bas</b> . <ul style="list-style-type: none"><li>– Pour régler le volume <b>TREBLE</b>, sélectionnez Contrôle du son → <b>TREBLE</b>, puis utilisez les touches <b>Haut/Bas</b> pour régler le volume sur une plage de réglage allant de -6 à +6.</li><li>– Maintenez le bouton  (<b>Réglages sonores</b>) enfoncé pendant environ 5 secondes pour régler le son pour chaque bande de fréquence. Vous pouvez utiliser les boutons <b>Gauche/Droite</b> pour sélectionner les fréquences suivantes : 150 Hz, 300 Hz, 600 Hz, 1,2 kHz, 2,5 kHz, 5 kHz et 10 kHz. Vous pouvez également définir chaque fréquence sur une valeur allant de -6 à +6 à l'aide des boutons <b>Haut/Bas</b>. (Veillez à ce que le mode son soit défini sur « <b>STANDARD</b> ».)</li><li>– Si la vidéo de la télévision et l'audio du Soundbar ne sont pas synchronisés, sélectionnez <b>SYNC</b> dans les réglages sonores, puis réglez le retard de l'audio entre 0 et 300 millisecondes à l'aide des boutons <b>Haut/Bas</b>.</li><li>– L'option <b>SYNC</b> n'est prise en charge que pour certaines fonctions.</li></ul>

<p><b>6</b></p> <p>VOLUME</p>	 <p>Faites basculer ce bouton vers le haut ou vers le bas pour régler le volume.</p> <ul style="list-style-type: none"> <li>• <b>Silence</b> Appuyez sur le bouton <b>VOL</b> pour désactiver le son. Appuyez de nouveau sur ce bouton pour activer le son.</li> </ul>
<p><b>7</b></p> <p>STANDARD</p>	<p>Appuyez sur ce bouton pour que la sortie audio restitue le son d'origine.</p>
<p><b>8</b></p> <p>Bluetooth PAIR</p>	<p>Basculez le Soundbar en mode association Bluetooth. Appuyez sur ce bouton et attendez que l'écran « <b>BT PAIRING</b> » se connecte à un nouvel appareil Bluetooth.</p>
<p><b>9</b></p> <p>Lecture/ Pause</p>	<p>Vous pouvez également lire ou mettre en pause la musique en appuyant sur ce bouton.</p>
<p><b>10</b></p> <p>Haut/Bas/ Gauche/ Droite</p>	 <p><b>Appuyez sur les zones indiquées pour sélectionner le bouton du Haut/Bas/Gauche/Droite.</b></p> <p>Appuyez en haut, en bas, à gauche et à droite du bouton pour sélectionner ou définir des fonctions.</p> <ul style="list-style-type: none"> <li>• <b>Répéter</b> Pour utiliser la fonction Repeat, appuyez sur le bouton <b>Haut</b>.</li> <li>• <b>Passer un morceau</b> Appuyez sur le bouton de <b>Droite</b> pour sélectionner le prochain morceau. Appuyez sur le bouton de <b>Gauche</b> pour sélectionner le morceau précédent.</li> </ul>
<p><b>11</b></p> <p>Info</p>	<p>Lorsque vous appuyez dessus, les informations sur les sources connectées et les appareils Bluetooth s'affichent.</p>



<b>12</b>	 <b>BASS</b>	 <p>Appuyez sur ce bouton (haut ou bas) pour régler le volume des basses sur une plage allant de -6 à +6.</p>
<b>13</b>	 <b>ADAPTIVE</b>	<p>Appuyez sur ce bouton pour analyser le contenu en temps réel et fournir automatiquement le champ sonore optimal en fonction des caractéristiques du contenu.</p>
<b>14</b>	 <b>SURROUND</b>	<p>Appuyez sur ce bouton pour fournir un environnement sonore plus important que la norme.</p>

## Utilisation des boutons masqués (boutons ayant plusieurs fonctions)

Bouton masqué		Page de référence
Bouton de la télécommande	Fonction	
BASS (Haut)	Activer/Désactiver la fonction Télécommande de votre téléviseur (mode veille)	page 15
 (Réglages sonores)	EQ 7 bandes	page 11

## Caractéristiques de sortie pour les différents modes d'effets sonores

Effet	Entrée	Sortie
STANDARD	2.0 canaux	2.0 canaux
	5.1 canaux	3.0 canaux
SURROUND	2.0 canaux	3.0 canaux
	5.1 canaux	3.0 canaux
ADAPTIVE	2.0 canaux	2.0 canaux
	5.1 canaux	3.0 canaux

# Réglage du volume du Soundbar avec une télécommande du téléviseur

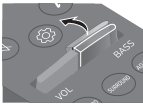


Contrôlez le volume du Soundbar à l'aide de la télécommande du téléviseur.

- Cette fonction ne peut être utilisée qu'avec des télécommandes infrarouges. Les télécommandes Bluetooth (télécommandes qui nécessitent un appairage) ne sont pas prises en charge.
- Réglez le haut-parleur du téléviseur sur **Haut-p. externe** pour utiliser cette fonction.
- Fabricants qui utilisent cette fonction :  
VIZIO, LG, Sony, Sharp, PHILIPS, PANASONIC, TOSHIBA, Hisense, RCA

1. Éteignez le Soundbar.

2. Appuyez sur le bouton **BASS** et maintenez-le enfoncé pendant 5 secondes.

À chaque fois que vous faites basculer le bouton **BASS** vers le haut et le maintenez enfoncé pendant 5 secondes, le mode change, dans l'ordre suivant : « **SAMSUNG-TV REMOTE** » (Mode par défaut), « **OFF-TV REMOTE** », « **ALL-TV REMOTE** ».

Bouton de la télécommande	Écran	État
	(Mode par défaut) <b>SAMSUNG-TV REMOTE</b>	Télécommande infrarouge du téléviseur Samsung activée.
	<b>OFF-TV REMOTE</b>	Télécommande du téléviseur désactivée.
	<b>ALL-TV REMOTE</b>	Télécommande infrarouge du téléviseur tiers activée.

# 04 CONNEXION DU SOUNDBAR

## Connexion de l'alimentation électrique

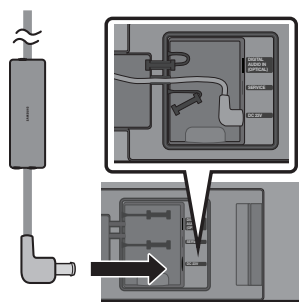
Connectez le Soundbar à une prise électrique dans l'ordre suivant :

1. Connectez l'adaptateur CA/CC au Soundbar.
  2. Raccordez le cordon d'alimentation à une prise murale.
- Pour plus d'informations sur les exigences en matière d'alimentation électrique et de consommation d'énergie, reportez-vous à l'étiquette apposée sur le produit. (Étiquette : Dessous de l'unité principale du Soundbar)

### REMARQUES

- Si vous débranchez et rebranchez le cordon d'alimentation lorsque le produit est sous tension, le Soundbar s'allume automatiquement.
- Ne tirez jamais avec une force excessive sur le cordon d'alimentation de l'adaptateur CA/CC.
- Lors de l'installation horizontale de l'adaptateur CA/CC, le logo Samsung doit être orienté vers le haut.
- La sécurité pourrait être compromise si ce produit est utilisé à moins de  $-4^{\circ}\text{F}$  ( $-20^{\circ}\text{C}$ ). Il est recommandé de brancher le cordon d'alimentation à la prise, puis d'attendre une heure avant d'allumer le Soundbar.

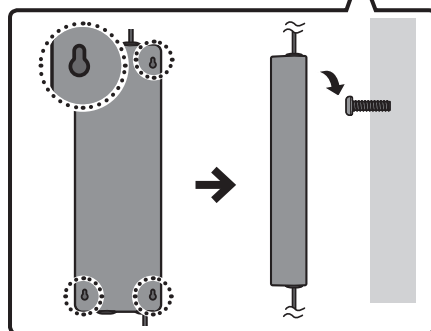
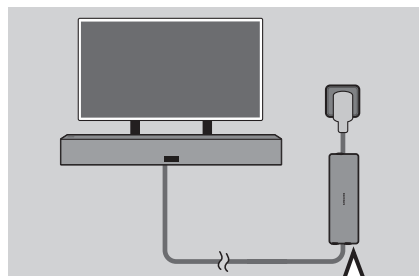
### Adaptateur CA/CC



Arrière de l'unité principale du Soundbar

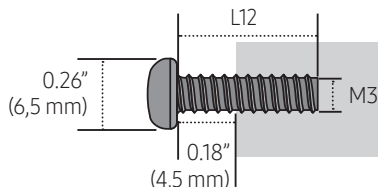
- Isolez le câble à l'aide de silicone étanche. Veillez à ce que le câble soit déconnecté.

## Comment monter l'adaptateur CA/CC



- Serrez 2 ou 4 vis (non fournies) sur le mur ou la table, puis insérez-les dans les rainures à l'arrière de l'adaptateur CA/CC. Vous ne pouvez pas installer l'adaptateur directement sur le sol.
- Pour les vis de montage, reportez-vous aux figures suivantes.

### Spécification de vis recommandée (non fourni)



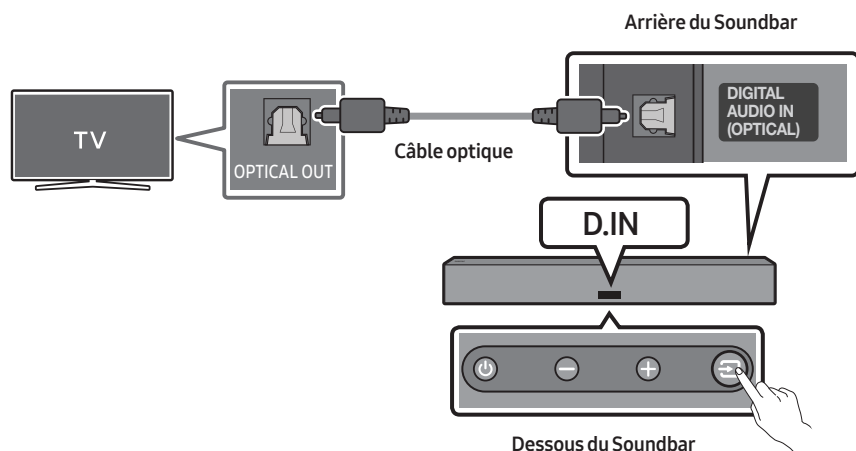
# 05 UTILISATION D'UNE CONNEXION FILAIRE AVEC LE TÉLÉVISEUR


## Connexion à l'aide d'un câble optique

Lorsque le son d'une diffusion est encodé en Dolby Digital et que le paramètre « Format de sortie audio numérique » est défini sur PCM sur votre téléviseur, nous recommandons de changer ce paramètre en le définissant sur Dolby Digital. Une fois que vous aurez modifié ce paramètre sur le téléviseur, vous pourrez profiter d'une meilleure qualité sonore. (Le menu du téléviseur peut utiliser des mots différents pour Dolby Digital et PCM selon le fabricant du téléviseur.)

### Liste de contrôle de pré-connexion

- Lorsque vous utilisez le Soundbar à l'extérieur, il est recommandé de connecter un câble optique pour une sortie audio adéquate.
- Veillez à utiliser le câble optique fourni avec le produit.
- Pour acheter un câble optique séparément, communiquez avec le revendeur ou le centre de service Samsung le plus proche.
- Le câble optique fourni avec le produit est conçu pour répondre à la spécification (0,16 pouces (4 mm)) pour l'étanchéité. Lorsque vous utilisez un câble optique acheté sur un autre site, la fonction d'étanchéité peut ne pas fonctionner correctement.
- Lorsque vous utilisez un câble optique et que les bornes ont leurs caches, assurez-vous de retirer les caches.



1. Le téléviseur et le Soundbar étant éteints, connectez le port **DIGITAL AUDIO IN (OPTICAL)** du Soundbar et le port de sortie **OPTICAL** du téléviseur à l'aide du câble optique, comme indiqué sur la figure.
2. Allumez le Soundbar et le téléviseur.
3. Sélectionnez le mode « **D.IN** » en appuyant sur le bouton  (**Source**) en bas du Soundbar ou sur le bouton **D.IN** de la télécommande du Soundbar.
4. Le son du téléviseur est émis par le Soundbar.

# 06 UTILISATION D'UNE CONNEXION SANS FIL AVEC LE TÉLÉVISEUR

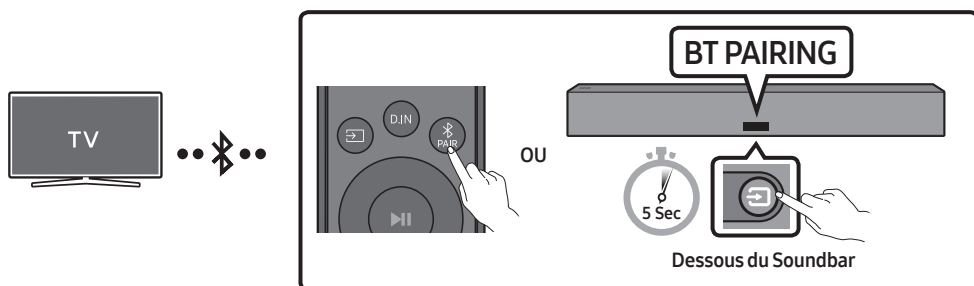
## Liste de contrôle de pré-connexion

- Lorsqu'il est utilisé à l'extérieur, les performances sans fil peuvent être altérées. Par conséquent, utilisez le câble optique fourni lorsque c'est possible.

## Méthode 1. Connexion par Bluetooth

Lorsqu'un téléviseur Samsung est connecté via Bluetooth, vous pouvez entendre le son stéréo sans les tracas du câblage.

- Un seul téléviseur Samsung peut être connecté à la fois.
- Un téléviseur Samsung prenant en charge Bluetooth peut être connecté. Vérifiez les spécifications de votre téléviseur.



### Connexion initiale


1. Appuyez sur le bouton **PAIR** de la télécommande du Soundbar pour accéder au mode « **BT PAIRING** ».  
**(OU)** a. Appuyez sur le bouton **Source** du panneau inférieur, puis sélectionnez « **BT** ». « **BT** » devient passe automatiquement à « **BT PAIRING** » en quelques secondes ou à « **BT READY** » s'il existe un enregistrement de connexion.  
b. Lorsque « **BT READY** » apparaît, appuyez sur le bouton **Source** du panneau inférieur du Soundbar et maintenez-le enfoncé pendant plus de 5 secondes jusqu'à ce que « **BT PAIRING** » apparaisse.
2. Sélectionnez le mode Bluetooth sur le téléviseur Samsung.  
(Par exemple, Accueil (🏠) → Paramètres (⚙️) → Son → Sortie audio → Liste des haut-parleurs Bluetooth → [AV] Samsung Soundbar LST70T (Bluetooth))

3. Sélectionnez « **[AV] Samsung Soundbar LST70T** » dans la liste sur l'écran du téléviseur.  
Un Soundbar disponible est indiquée par « **Besoin d'appairage** » ou « **Associé** » sur la liste des appareils Bluetooth du téléviseur. Pour connecter le téléviseur Samsung au Soundbar, sélectionnez le message, puis établissez une connexion.
  - Lorsque le téléviseur Samsung est connecté, **Nom [TV]** → « **BT** » apparaît sur l'écran avant du Soundbar.
4. Vous pouvez maintenant entendre le son du téléviseur Samsung à partir du Soundbar.
  - Une fois que vous avez connecté le Soundbar à votre téléviseur la première fois, utilisez le mode « **BT READY** » pour la reconnexion.

### En cas d'échec de la connexion de l'équipement



- Si vous avez un Soundbar existant (par exemple, **[AV] Samsung Soundbar LST70T**) dans la liste des haut-parleurs du téléviseur Samsung, supprimez-le.
- Répétez ensuite les étapes 1 à 3.

### Déconnexion du Soundbar du téléviseur Samsung

Appuyez sur le bouton  (**Source**) du panneau inférieur ou de la télécommande, puis sélectionnez n'importe quel mode sauf « **BT** ».

- La déconnexion prend du temps car le téléviseur Samsung doit recevoir une réponse du Soundbar. (Le temps requis peut varier en fonction du modèle de téléviseur Samsung.)

### Quelle est la différence entre BT READY et BT PAIRING ?

- **BT READY** : dans ce mode, vous pouvez reconnecter n'importe quel téléviseur ou appareil mobile Samsung connecté auparavant.
- **BT PAIRING** : dans ce mode, vous pouvez connecter un nouvel appareil au Soundbar. (Appuyez sur la touche  **PAIR** de la télécommande du Soundbar ou appuyez sur le bouton  (**Source**) situé sur le dessous du Soundbar et maintenez-le enfoncé pendant plus de 5 secondes pendant que le Soundbar est en mode « **BT** ».)



## Remarques sur la connexion Bluetooth

- Localisez un nouvel appareil à moins d'3,28 pi (1 m) pour vous connecter via la communication Bluetooth.
- Si un code PIN vous est demandé lors de la connexion d'un appareil Bluetooth, entrez <0000>.
- Le Soundbar s'éteint automatiquement au bout de 18 minutes à l'état Prêt.
- Le Soundbar peut ne pas effectuer correctement la recherche ou la connexion Bluetooth dans les circonstances suivantes :
  - S'il y a un fort champ électrique autour du Soundbar.
  - Si plusieurs appareils Bluetooth sont associés simultanément au Soundbar.
  - Si l'appareil Bluetooth est éteint, pas en place ou fonctionne mal.
- Les appareils électroniques peuvent créer des interférences radio. Les appareils produisant des ondes électromagnétiques doivent être gardés à distance de l'unité principale du Soundbar, par exemple les micro-ondes, les appareils de réseau sans fil, etc.

## Méthode 2. Connexion en Wi-Fi

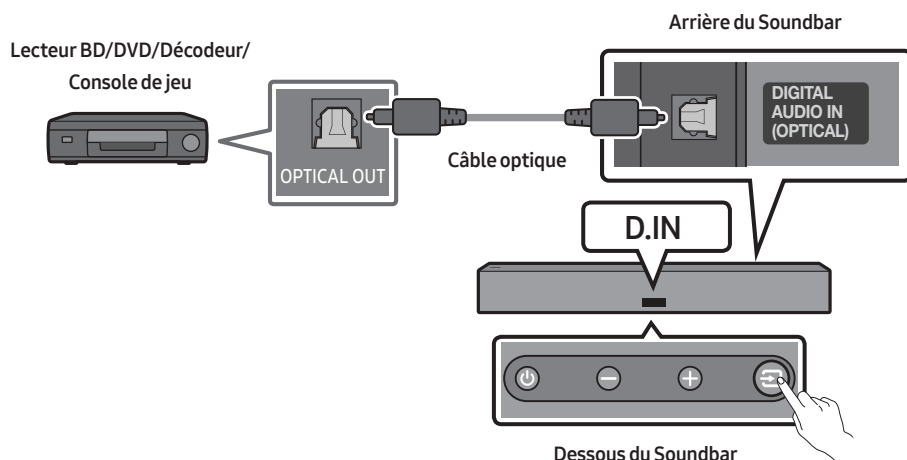
### Liste de contrôle de pré-connexion


- La connexion Wi-Fi est disponible uniquement sur les téléviseurs Samsung.
- Vérifiez que le **routeur sans fil (Wi-Fi)** est activé et que le **téléviseur est connecté au routeur**.
- Le téléviseur et le Soundbar doivent être connectés au même réseau sans fil (Wi-Fi).
- Si votre routeur sans fil (Wi-Fi) utilise un canal DFS, vous ne pourrez pas établir de connexion Wi-Fi entre le téléviseur et le Soundbar. Communiquez avec votre fournisseur de service Internet pour plus de détails.
- Étant donné que les menus peuvent varier selon l'année de fabrication, consultez le manuel de votre téléviseur
- Pour brancher le téléviseur à la Soundbar par Wi-Fi, branchez d'abord la Soundbar au routeur sans fil. Reportez-vous à la page 26 pour voir comment établir une connexion Wi-Fi.

1. Pour plus d'informations sur la connexion Wi-Fi à la Soundbar, voir la page 26, « **Méthode 2. Connexion par Wi-Fi (réseau sans fil)** ».
2. Modifiez la source d'entrée du téléviseur en utilisant le menu Audio sur le Soundbar.
  - **Téléviseurs Samsung sortis en 2017 ou après**  
Accueil (🏠) → Paramètres (⚙️) → Son → Sortie audio → [AV] Samsung Soundbar LST70T (Wi-Fi)

# 07 CONNEXION D'UN APPAREIL EXTERNE

## Connexion à l'aide d'un câble optique



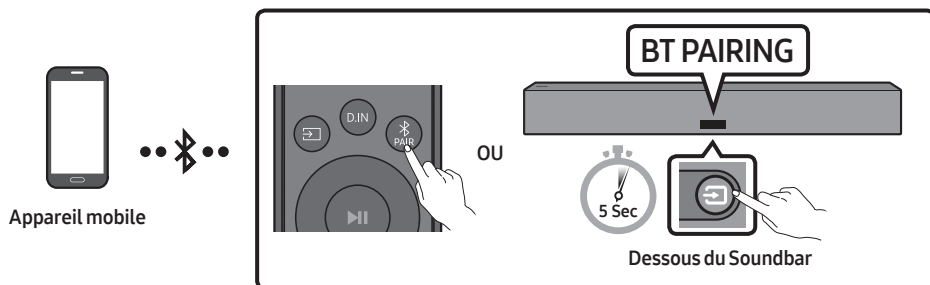
1. Utilisez un câble optique pour connecter le port **DIGITAL AUDIO IN (OPTICAL)** au Soundbar principal et le port **OPTICAL OUT** à l'appareil externe.
2. Allumez le Soundbar et l'appareil externe.
3. Sélectionnez le mode « **D.IN** » en appuyant sur le bouton  (**Source**) en bas du Soundbar ou sur le bouton **D.IN** de la télécommande du Soundbar.
4. Votre Soundbar lit les sons de l'appareil externe.

# 08 CONNEXION D'UN APPAREIL MOBILE

## Méthode 1. Connexion par Bluetooth

Lorsqu'un appareil mobile est connecté par Bluetooth, vous pouvez entendre le son stéréo sans les tracas du câblage.

- Lorsque vous connectez un appareil Bluetooth associé alors que le Soundbar est éteint, le Soundbar s'allume automatiquement.



### La connexion initiale

- Lors de la connexion à un nouvel appareil Bluetooth, assurez-vous que l'appareil est à moins d'3,28 pi (1 m) de distance.

1. Appuyez sur le bouton PAIR de la télécommande du Soundbar pour accéder au mode « BT PAIRING ».

(OU) a. Appuyez sur le bouton (Source) du panneau inférieur, puis sélectionnez « BT ». « BT » devient passe automatiquement à « BT PAIRING » en quelques secondes ou à « BT READY » s'il existe un enregistrement de connexion.

- b. Lorsque « BT READY » apparaît, appuyez sur le bouton (Source) du panneau inférieur du Soundbar et maintenez-le enfoncé pendant plus de 5 secondes jusqu'à ce que « BT PAIRING » apparaisse.

2. Sur votre appareil, sélectionnez « [AV] Samsung Soundbar LST70T » dans la liste qui apparaît.

- Lorsque le Soundbar est connecté à l'appareil mobile, [Nom de l'appareil mobile] → « BT » apparaît sur l'écran avant.



3. Lisez les fichiers musicaux de l'appareil connecté par Bluetooth via le Soundbar.

- Après avoir connecté le Soundbar à votre appareil mobile pour la première fois, utilisez le mode « BT READY » pour la reconnexion.

## En cas d'échec de la connexion de l'équipement

- Si un Soundbar (par exemple, « [AV] Samsung Soundbar LST70T ») figure déjà dans la liste des haut-parleurs de l'appareil mobile, supprimez-le.
- Répétez les étapes 1 et 2.

## Quelle est la différence entre BT READY et BT PAIRING ?

- **BT READY** : dans ce mode, vous pouvez reconnecter n'importe quel téléviseur ou appareil mobile Samsung connecté auparavant.
- **BT PAIRING** : dans ce mode, vous pouvez connecter un nouvel appareil au Soundbar. (Appuyez sur la touche  PAIR de la télécommande du Soundbar ou appuyez sur le bouton  (Source) situé sur le dessous du Soundbar et maintenez-le enfoncé pendant plus de 5 secondes pendant que le Soundbar est en mode « BT ».)

## Remarques sur la connexion Bluetooth

- Localisez un nouvel appareil à moins d'3,28 pi (1 m) pour vous connecter via la communication Bluetooth.
- Si un code PIN vous est demandé lors de la connexion d'un appareil Bluetooth, entrez <0000>.
- Le Soundbar s'éteint automatiquement au bout de 18 minutes à l'état Prêt.
- Le Soundbar peut ne pas effectuer correctement la recherche ou la connexion Bluetooth dans les circonstances suivantes :
  - S'il y a un fort champ électrique autour du Soundbar.
  - Si plusieurs appareils Bluetooth sont associés simultanément au Soundbar.
  - Si l'appareil Bluetooth est éteint, pas en place ou fonctionne mal.
- Les appareils électroniques peuvent créer des interférences radio. Les appareils produisant des ondes électromagnétiques doivent être gardés à distance de l'unité principale du Soundbar, par exemple les micro-ondes, les appareils de réseau sans fil, etc.
- Le Soundbar prend en charge les données SBC (44,1 kHz, 48 kHz).
- Connectez-vous uniquement à un périphérique Bluetooth prenant en charge la fonction A2DP (AV).
- Vous ne pouvez pas connecter le Soundbar à un périphérique Bluetooth qui prend uniquement en charge la fonction HF (Hands Free).
- Lorsque vous connectez le Soundbar à un périphérique Bluetooth, placez-les aussi près que possible l'un de l'autre.
- Plus le Soundbar et le périphérique Bluetooth sont éloignés l'un de l'autre, plus la qualité sonore diminue. La connexion Bluetooth peut se rompre lorsque les appareils sont hors de portée effective.
- La connexion Bluetooth peut ne pas fonctionner comme prévu dans les zones où la réception est mauvaise.


- Un périphérique Bluetooth peut émettre du bruit ou devenir défaillant dans les conditions suivantes :
  - Lorsque le corps est en contact avec l'émetteur-récepteur de signal sur l'appareil Bluetooth ou le Soundbar
  - Dans les coins ou lorsqu'il y a un obstacle à proximité, tel qu'un mur ou une cloison, où des changements électriques peuvent se produire.
  - Lorsqu'il est exposé à des interférences radio par d'autres produits fonctionnant sur les mêmes gammes de fréquences, comme des équipements médicaux, des fours à micro-ondes et des périphériques LAN sans fil.
  - Les obstacles tels que les portes et les murs peuvent avoir un impact sur la qualité sonore, même lorsque les appareils sont dans le champ de portée effective.
- Notez que votre Soundbar ne peut pas être appairé avec d'autres périphériques Bluetooth lorsque vous utilisez l'option Bluetooth.
- Cet appareil sans fil peut provoquer des interférences électriques lorsqu'il est en marche.

### Déconnexion d'un périphérique Bluetooth d'un Soundbar

Vous pouvez déconnecter le périphérique Bluetooth à partir du système Soundbar. Pour des directives, consultez le manuel d'utilisation du périphérique Bluetooth.

- Le système Soundbar sera déconnecté.
- Lorsque le système Soundbar est déconnecté du périphérique Bluetooth, Soundbar affiche le message « **BT DISCONNECTED** » sur le panneau avant.

### Déconnexion du Soundbar du périphérique Bluetooth

Appuyez sur la touche  (**Source**) du panneau du bas ou sur la télécommande, puis choisissez n'importe quel mode sauf « **BT** ».

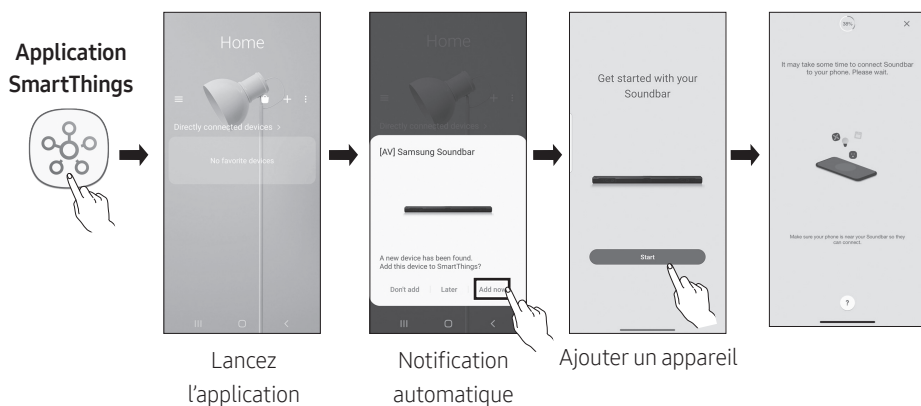
- La déconnexion prend du temps car le périphérique Bluetooth doit recevoir une réponse du Soundbar. (Le temps de déconnexion requis peut différer en fonction du périphérique Bluetooth.)
- Lorsque le Soundbar est déconnecté du périphérique Bluetooth, le message « **BT DISCONNECTED** » s'affiche sur l'écran à l'avant du Soundbar.

## Méthode 2. Connexion par Wi-Fi (réseau sans fil)

Pour connecter un Soundbar à un appareil mobile via un réseau sans fil (Wi-Fi), l'application **SmartThings** est requise.

### Connexion initiale

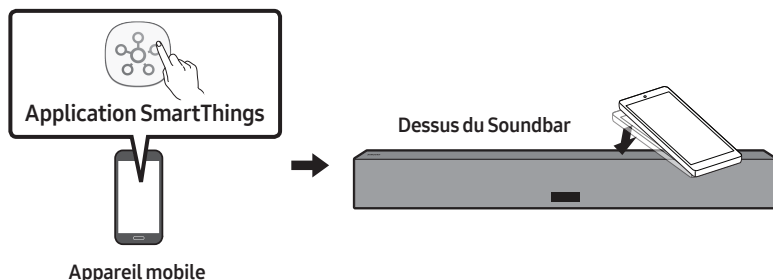
1. Installez et lancez l'application **SmartThings** sur votre appareil mobile (téléphone intelligent ou tablette).
2. Dans l'application, suivez les instructions à l'écran pour ajouter le Soundbar.
  - La fenêtre contextuelle automatique (deuxième illustration ci-dessous) peut ne pas s'afficher sur certains appareils.Si la fenêtre contextuelle ne s'affiche pas, appuyez sur le bouton « **+** » sur l'écran **Home**. Le Soundbar a été ajouté à l'application.



# Utilisation de la fonction Tap Sound

Appuyez sur le Soundbar avec votre appareil mobile pour lire le son du contenu de l'appareil mobile via le Soundbar.

- Cette fonction peut ne pas être prise en charge en fonction de l'appareil mobile.
- Cette fonction n'est compatible qu'avec les appareils mobiles Samsung fonctionnant sous Android 8.1 ou une version ultérieure.



1. Activez la fonction **Tap Sound** sur votre appareil mobile.
  - Pour plus d'informations sur la façon d'activer cette fonction, reportez-vous à la section « **Réglage de la fonction Tap Sound** » ci-dessous.
2. Appuyez sur le Soundbar avec l'appareil mobile. Sélectionnez « **Démarrer** » dans la boîte de dialogue affichée.

La connexion est établie entre l'appareil mobile et le Soundbar via Bluetooth.
3. Lisez le son du contenu de l'appareil mobile via le Soundbar.
  - Cette fonction connecte un appareil mobile au Soundbar via Bluetooth en détectant les vibrations produites lorsque l'appareil touche le Soundbar.
  - Veillez à ne pas appuyer l'appareil mobile sur un coin pointu du Soundbar. Cela pourrait rayer ou endommager le Soundbar ou l'appareil mobile.
  - Il est recommandé de placer l'appareil mobile dans un étui. Appuyez légèrement sur la zone large de la partie supérieure du Soundbar, sans exercer de force excessive.
  - Pour utiliser cette fonction, mettez à jour l'application **SmartThings** vers la dernière version. Cette fonction peut ne pas être prise en charge en fonction de la version de l'application.

## Réglage de la fonction Tap Sound

Utilisez l'application **SmartThings** pour activer la fonction **Tap View**, **Tap Sound**.

1. Sur l'appareil mobile, lancez l'application **SmartThings**.
2. Sélectionnez (☰ → ⚙️) sur l'écran de l'application **SmartThings** qui apparaît sur l'appareil mobile.
3. Définissez « **Tap View, Tap Sound** » sur Activé pour permettre à la fonction de se lancer lorsqu'un appareil mobile se rapproche du Soundbar. La fonction est activée.

### REMARQUES

- Lorsque l'appareil mobile est en mode d'économie d'énergie, la fonction **Tap Sound** ne fonctionne pas.
- La fonction **Tap Sound** peut ne pas fonctionner si des appareils à proximité du Soundbar, par exemple des appareils électriques, provoquent des interférences radio. Assurez-vous que les appareils susceptibles de provoquer des interférences radio sont placés à une distance suffisante du Soundbar.

## 09 CONNECTER UN PRODUIT AMAZON

- Cette fonction peut ne pas être disponible dans certains pays.
- Ce service est fourni par Amazon et peut être résilié à tout moment. Samsung n'assume pas la responsabilité de la disponibilité du service.
- L'écran de l'application **Amazon Alexa** peut faire l'objet d'une modification sans préavis.

### Connecter et utiliser avec un produit Amazon (Amazon Echo)

Utilisez un produit Amazon Echo pour contrôler votre Soundbar et profiter des services musicaux fournis par Amazon Echo.

#### REMARQUE

- Vérifiez que votre Soundbar est connecté au Wi-Fi. (reportez-vous à « Méthode 2. Connexion par Wi-Fi (réseau sans fil) »)

### Contrôler votre Soundbar grâce à un périphérique Amazon

- Le service Amazon Echo que vous pouvez utiliser avec votre Soundbar est limité à la musique. Vous pouvez accéder à d'autres services fournis par Amazon Echo, comme les informations et la météo, grâce à votre produit Amazon Echo.



Déclencheur + Commande + Nom du haut-parleur

#### \* Pour utiliser les commandes vocales pour le Soundbar nommé «Salon»

Action	Commande vocale
Pour régler le volume sur 5	«Alexa Régler le volume sur 5 dans le Salon»
Pour augmenter le volume	«Alexa Augmenter le volume au Salon»
Pour couper le son	«Alexa Couper le son au Salon»
Pour écouter une station de radio appelée KISS FM	«Alexa Jouer Kiss FM au Salon»
Pour lire la chanson suivante	«Alexa Chanson suivante au Salon»
Pour arrêter l'audio	«Alexa Stop au Salon»
Pour éteindre l'audio	«Alexa Éteindre au Salon»



# 10 INSTALLATION DU SUPPORT MURAL

## Précautions d'installation

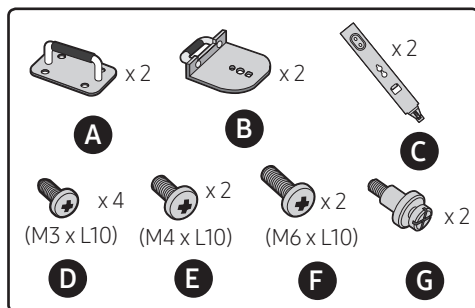
- Procédez à l'installation sur un mur vertical uniquement.
- Vérifiez que le mur est suffisamment solide pour supporter le poids du produit. Sinon, renforcez le mur ou choisissez un autre point d'installation.
- Achetez et utilisez les vis de fixation ou les chevilles adaptées au type de mur que vous possédez (plaque de plâtre, plaque de fer, bois, etc.). Si possible, fixez les vis de support dans les poteaux muraux.
- Achetez des vis de montage mural en fonction du type et de l'épaisseur du mur sur lequel vous souhaitez monter le Soundbar.
  - Diamètre : M5
  - Longueur : 1 3/8 pouces (35 mm) ou plus recommandé.
- Connectez les câbles de l'unité aux appareils externes avant d'installer le Soundbar sur le mur.
- Assurez-vous que l'unité est éteinte et débranchée avant de l'installer. Sinon, cela pourrait provoquer un choc électrique.
- Lors de l'installation de la Soundbar, gardez-la à l'écart de la lumière directe du soleil ou d'autres sources de chaleur (par exemple une cheminée).
- Lorsque vous laissez le Soundbar à l'extérieur, de la poussière ou des corps étrangers peuvent s'accumuler. Lorsqu'il n'est pas utilisé, assurez-vous de le couvrir d'un chiffon ou d'une housse.
- Pour plus d'informations sur l'installation du téléviseur sur un mur, reportez-vous au guide de montage mural du téléviseur.
- Samsung décline toute responsabilité en cas de dommages causés par une mauvaise installation du produit.
- Il est recommandé de mettre la Soundbar à l'abri, hors des conditions météorologiques extrêmes.

## Méthode 1. Fixation au téléviseur

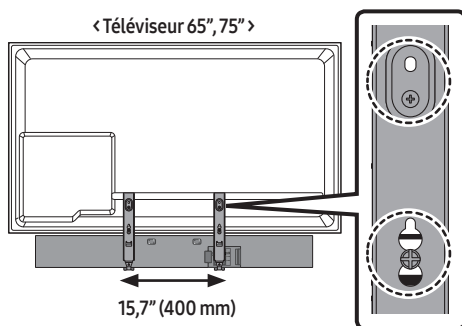
### Liste de contrôle de pré-connexion

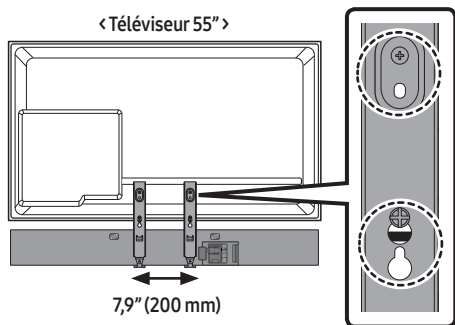
- Cette Soundbar est compatible avec le modèle de téléviseur extérieur « The Terrace » de Samsung portant les noms de modèle suivants : QN\*\*LST\*\*, GQ\*\*LST\*\*, QA\*\*LST\*\*, QE\*\*LST\* (par exemple QN65LST7T)

### Composants de la fixation au téléviseur

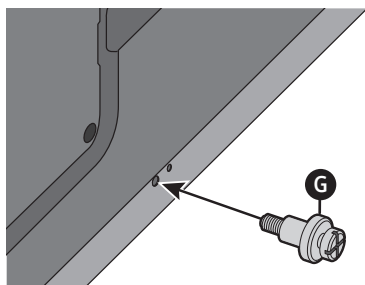


### Exemple d'installation

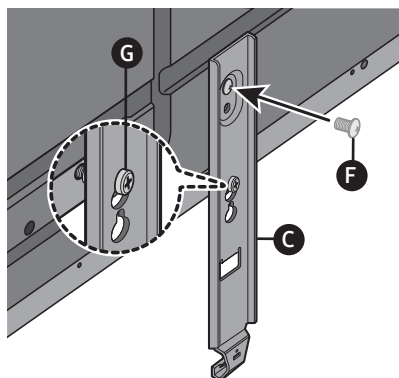




1. < Arrière du téléviseur Samsung >

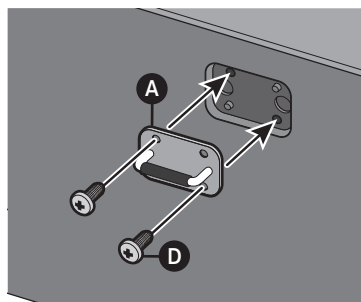


2. < Arrière du téléviseur Samsung >

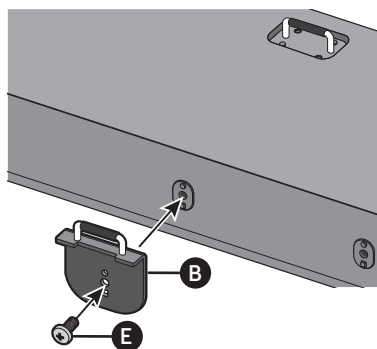


- Serrez sur le téléviseur en position couchée **C**.

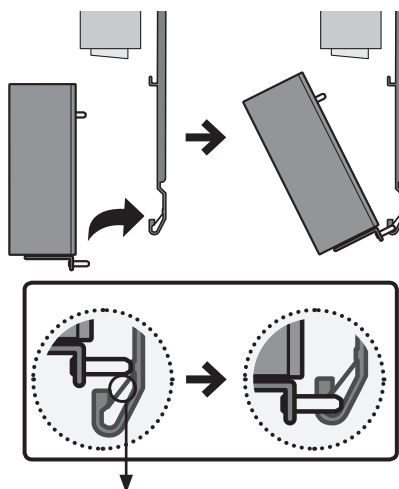
3. < Arrière du Soundbar >



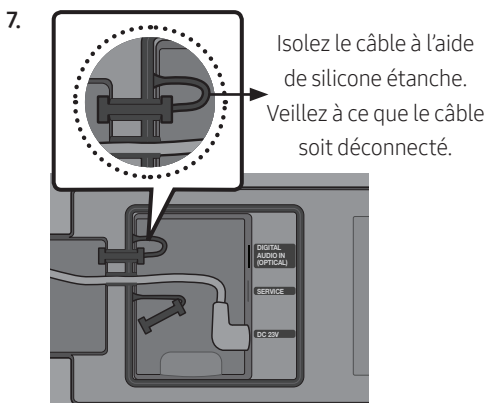
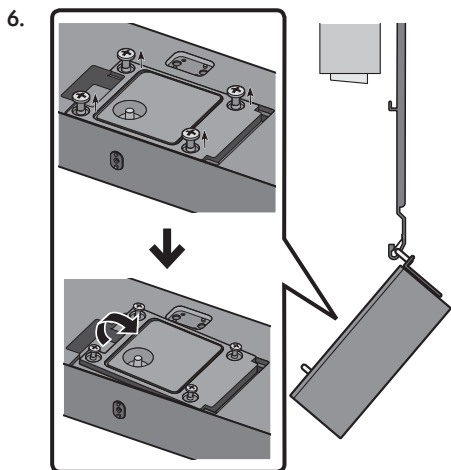
4. < Dessous du Soundbar >



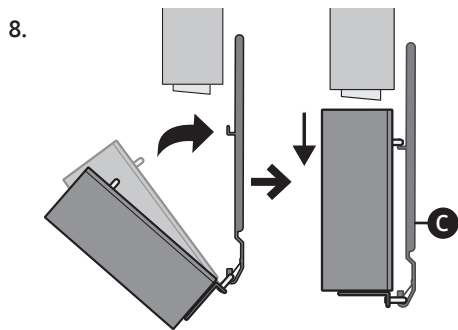
5.



Plaque de prévention des déviations

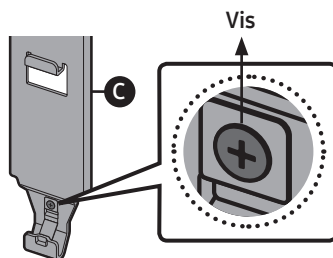


- Une fois le câble connecté, fermez son cache, puis serrez les vis desserrées.



- Avant de raccorder le Soundbar à **C**, soulevez légèrement le produit, puis poussez-le vers le bas pour l'assemblage.

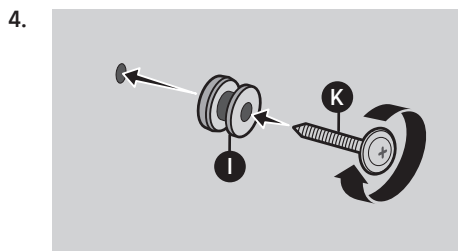
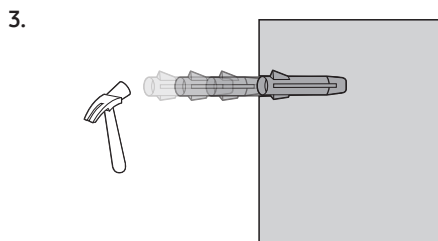
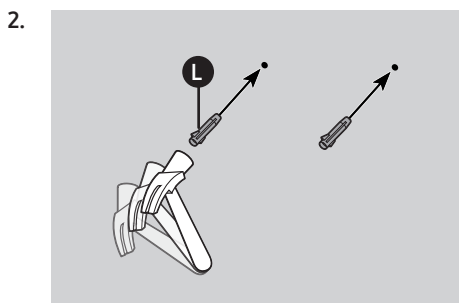
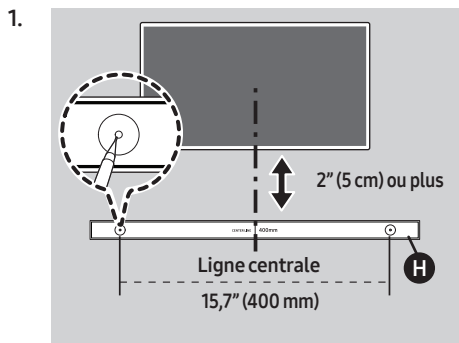
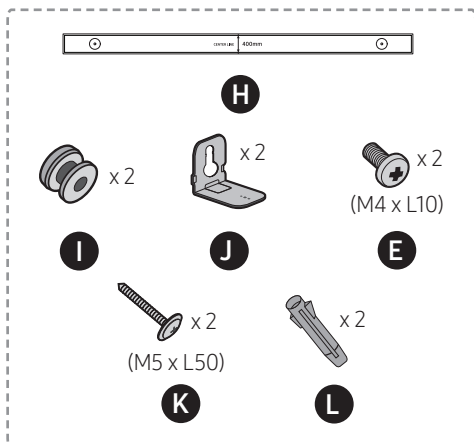
#### REMARQUES



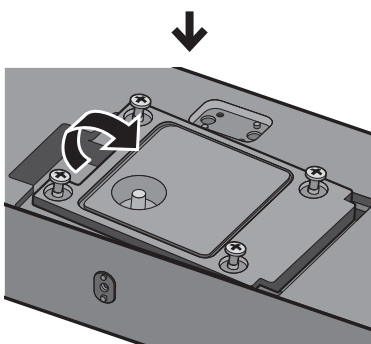
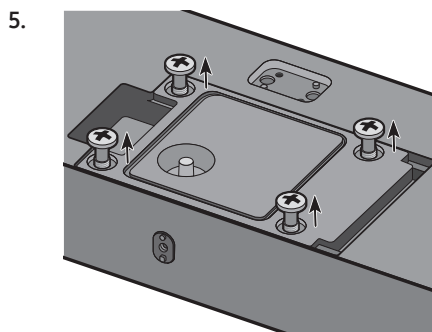
- Pour dissocier la Soundbar du téléviseur, desserrez la vis sur le **C**.
- Lors du retrait de la Soundbar, prenez soin de ne pas déformer la plaque de prévention des déviations.

## Méthode 2. Support mural

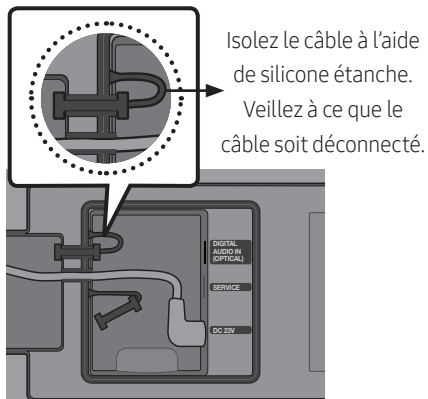
### Composants du montage mural



- Couple recommandé : 10 à 12 kgf.cm

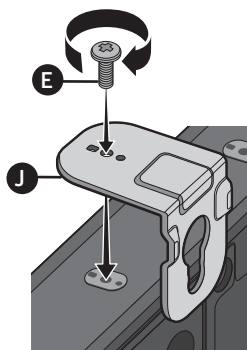


6.



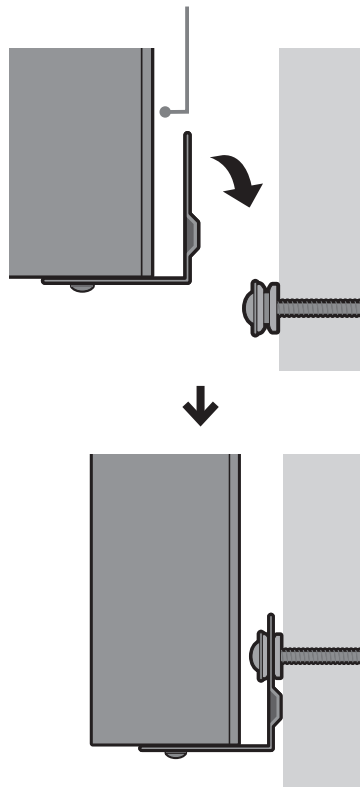
- Une fois le câble connecté, fermez son cache, puis serrez les vis desserrées.

7.



8.

Arrière du Soundbar



# 11 MISE À JOUR LOGICIELLE

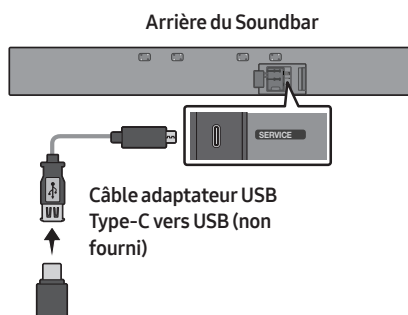
## Mise à jour automatique

Lorsque le Soundbar est connecté à Internet, les mises à jour logicielles s'installent automatiquement, même lorsque le Soundbar est éteint.

- Pour utiliser la fonction de mise à jour automatique, le Soundbar doit être connecté à Internet.

La connexion Wi-Fi au Soundbar sera interrompue si le cordon d'alimentation du Soundbar est débranché ou si l'alimentation est coupée. En cas de coupure, à la remise sous tension ou lorsque vous rebranchez le cordon d'alimentation, allumez le Soundbar, puis reconnectez-le à Internet.

## Mise à jour USB

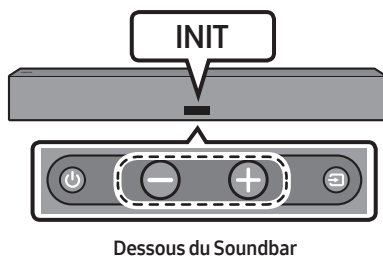


**Il se peut que Samsung propose des mises à jour du micrologiciel du système Soundbar à l'avenir.**

Lorsqu'une mise à jour est disponible, vous pouvez mettre à jour le Soundbar en connectant le lecteur USB qui contient le micrologiciel de mise à jour au port **SERVICE** du Soundbar.

1. Accédez au site Web de Samsung Electronics ([www.samsung.com](http://www.samsung.com)) → recherchez le nom du modèle à partir de l'option de menu de l'assistance à la clientèle.
  - Pour plus d'informations sur la mise à jour, reportez-vous au Guide de mise à niveau.
2. Téléchargez le fichier de mise à niveau (USB type-C).
3. Décompressez le fichier pour créer un dossier avec le nom du fichier.
4. Stockez le dossier créé sur une clé USB, puis connectez-le au Soundbar.
5. Allumez le Soundbar. Ensuite, le produit est mis à jour dans les 3 minutes qui suivent. Le message « **UPDATE** » s'affiche à l'écran.
  - Pendant la mise à jour, n'éteignez pas le produit et ne retirez pas le câble USB.
  - Si « **UPDATE** » n'apparaît pas sur la fenêtre d'affichage, retirez le cordon d'alimentation du Soundbar, puis rebranchez-le.
  - Si la dernière version est installée, aucune mise à jour n'est effectuée.
  - Selon le type d'USB, la mise à jour peut ne pas être prise en charge.

## Initialisation



Alors que le Soundbar est allumé, appuyez sur les boutons **— + (Volume)** de l'unité pendant au moins 5 secondes. Le message « **INIT** » apparaît sur l'écran et le Soundbar s'initialise.

### ⚠ ATTENTION

- Tous les paramètres du Soundbar sont initialisés. Veillez à effectuer cette opération uniquement lorsque l'initialisation est requise.

# 12 DÉPANNAGE

Avant de contacter l'assistance, effectuez les vérifications suivantes.

## Si l'alimentation n'est pas activée

- Vérifiez si le cordon d'alimentation du Soundbar est correctement inséré dans la prise.

## Si les fonctions ne marchent pas correctement

- Après avoir retiré le cordon d'alimentation, réinsérez-le.
- Retirez le cordon d'alimentation de l'appareil externe et réessayez.
- S'il n'y a pas de signal, le Soundbar s'éteint automatiquement après un certain temps. Allumez le produit. (voir la page 11.)

## Si la télécommande ne fonctionne pas

- Rapprochez la télécommande du Soundbar.
- Remplacez les piles.

## Si le son du Soundbar n'est pas émis

- Le volume du Soundbar est trop faible ou coupé. Réglez le volume.
- Lorsqu'un appareil externe (STB, appareil Bluetooth, appareil mobile, etc.) est connecté, réglez le volume de l'appareil externe.
- Pour la sortie audio du téléviseur, sélectionnez Soundbar. (Téléviseur Samsung : Accueil (🏠) → Paramètres (⚙️) → Son → Sortie audio → Sélectionnez le Soundbar)

- La connexion du câble au Soundbar ne doit pas être lâche. Débranchez le câble et rebranchez-le.
- Retirez complètement le cordon d'alimentation, rebranchez-le et mettez l'appareil sous tension.
- Initialisez le produit et réessayez. (Voir page 34.)

## Si la connexion Bluetooth s'avère impossible

- Lors de la connexion d'un nouvel appareil, passez à « **BT PAIRING** » pour la connexion. (Appuyez sur le bouton **PAIR** de la télécommande ou sur le bouton **Source** de l'unité pendant au moins 5 secondes.)
- Si le Soundbar est connecté à un autre appareil, débranchez d'abord cet appareil pour commuter l'appareil.
- Reconnectez l'appareil après avoir supprimé la liste des haut-parleurs Bluetooth sur l'appareil à connecter. (Téléviseur Samsung : Accueil (🏠) → Paramètres (⚙️) → Son → Sortie audio → Liste des haut-parleurs Bluetooth)
- La connexion automatique au téléviseur peut être désactivée. Pendant que le Soundbar est en mode « **BT READY** », appuyez sur la touche **▶||** de la télécommande du Soundbar et maintenez-la enfoncée pendant 5 secondes pour sélectionner **ON-TV CONNECT**. Si **OFF-TV CONNECT** s'affiche, appuyez à nouveau sur la touche **▶||** et maintenez-la enfoncée pendant 5 secondes pour changer de sélection.
- Retirez et rebranchez la fiche d'alimentation, puis réessayez.
- Initialisez le produit et réessayez. (Voir page 34.)

### Si le son Bluetooth est interrompu

- Les sons peuvent se briser en raison d'interférences dues aux signaux radioélectriques ou aux appareils électroniques situés à proximité. Éloignez ces appareils du Soundbar pour éviter les interférences radio. Exemple : fours à micro-ondes.
- L'appareil à connecter étant éloigné du Soundbar, une coupure du son peut se produire. Déplacez l'appareil près du Soundbar.
- Si une partie de l'unité est en contact avec l'émetteur-récepteur Bluetooth ou si le produit est installé sur un meuble en métal, une coupure du son peut se produire. Vérifiez l'environnement d'installation et les conditions d'utilisation.

### Si la connexion Wi-Fi s'avère impossible

- Vérifiez si votre routeur sans fil est allumé.
- Éteignez le routeur, rallumez-le, puis réessayez.
- Lorsque le signal du routeur sans fil est trop faible, la connexion peut ne pas être possible. Déplacez le routeur près du Soundbar ou ajustez la position d'installation pour qu'il n'y ait pas d'obstacles.
- Si votre routeur sans fil est nouveau, vous devrez reconfigurer les paramètres réseau du haut-parleur.

### Si le Soundbar n'est pas allumé dès la mise sous tension du téléviseur

- Lorsque vous éteignez le Soundbar tout en regardant la télévision, la synchronisation de l'alimentation avec le téléviseur est désactivée. Éteignez d'abord le téléviseur.

## 13 LICENCE



Manufactured under license from Dolby Laboratories. Dolby, Dolby Audio, Pro Logic, and the double-D symbol are trademarks of Dolby Laboratories.



For DTS patents, see <http://patents.dts.com>. Manufactured under license from DTS Licensing Limited. DTS, the Symbol, DTS in combination with the Symbol, and DTS Digital Surround are registered trademarks or trademarks of DTS, Inc. in the United States and/or other countries. © DTS, Inc. All Rights Reserved.



- Le logiciel Spotify est assujéti à des licences de tiers que vous trouverez ici : [www.spotify.com/connect/third-party-licenses](http://www.spotify.com/connect/third-party-licenses).
- Pour en savoir plus sur Spotify Connect, veuillez visiter [www.spotify.com/connect](http://www.spotify.com/connect)



## **14 AVIS DE LICENCES LIBRES**

Pour envoyer des questions concernant les sources ouvertes, communiquez avec Samsung Open Source (<http://opensource.samsung.com>).

## **15 REMARQUE IMPORTANTE CONCERNANT LE SERVICE**

Les chiffres et les illustrations contenus dans ce Guide d'utilisation sont fournis à titre de référence uniquement et pourraient ne pas représenter exactement le produit.

# 16 CARACTÉRISTIQUES ET GUIDE

## Spécifications

Nom de modèle	HW-LST70T
Poids	14,8 lbs (6,7 kg)
Dimensions (L x H x P)	48,0 x 5,5 x 2,1 po (1220,0 x 140,0 x 53,5 mm)
Plage de températures en fonctionnement	-22°F à 122°F (-30°C à 50°C)
Plage d'humidité en fonctionnement	10 % à 80 %, sans condensation
Plage de températures d'entreposage	-4°F à 122°F (-20°C à 50°C)
Plage d'humidité d'entreposage	5 % à 95 %, sans condensation
AMPLIFICATEUR	
Puissance de sortie nominale	(45W x 4) + (10W x 3)
Formats de lecture pris en charge	LPCM 2ch, Dolby Audio™ (prise en charge de Dolby® Digital), DTS

## REMARQUES

- Samsung Electronics Co., Ltd se réserve le droit de modifier les caractéristiques sans préavis.
- Le poids et les dimensions sont approximatifs.
- Le grade résistant à la poussière et à l'eau (grade IP) est basé sur la norme internationale. Il se compose d'un niveau de protection contre les solides (poussière) et d'un niveau de protection contre les liquides (eau). Cette Soundbar possède un niveau de résistance à la poussière et à l'eau équivalent à IP55. Un indice IP55 signifie que dans des conditions d'essai, le produit est protégé contre la quantité de poussière qui pourrait nuire au fonctionnement normal du produit, mais n'est pas complètement étanche à la poussière. Le produit est complètement protégé contre les objets solides. Il est également protégé contre les jets d'eau à basse pression projetés par une buse (< 0,25 po (6,3 mm)) de n'importe quel angle et à < 30 KPa (4,4 PSI) avec un volume d'eau jusqu'à 12,5 L/min pendant jusqu'à 3 minutes avec une entrée limitée autorisée. Selon les résultats des tests accrédités, les résultats individuels peuvent varier.

Remarque : L'indice IP55 ne signifie pas que le produit est étanche aux dégâts d'eau dans toutes les situations.

Wi-Fi Méthode de désactivation du port	Appuyez sur le bouton <b>BASS</b> de la télécommande du Soundbar pendant 30 secondes pour activer/désactiver le Wi-Fi.
Bluetooth Méthode de désactivation du port	Appuyez sur le bouton <b>Info</b> de la télécommande du Soundbar pendant 30 secondes pour activer/désactiver le Bluetooth.

# SAMSUNG

## GARANTIE LIMITÉE À L'ACHETEUR INITIAL

Samsung Electronics Canada Inc. (SECA) garantit ce produit contre tout défaut de fabrication. SECA garantit aussi que si cet appareil ne fonctionne pas convenablement durant la période de garantie SECA se réservera le droit de réparer ou de remplacer l'appareil défectueux.

Toutes les réparations sous garantie doivent être effectuées par un Centre de service autorisé SECA. Le nom et l'adresse du Centre de service le plus près de chez vous peut être obtenu en composant sans frais le 1- 800- SAMSUNG ou en visitant notre site web au [www.samsung.ca](http://www.samsung.ca)

MAIN-D'OEUVRE  
UN (1) AN (AU COMPTOIR)

PIÈCES  
UN (1) AN

Pour tous les modèles portatifs, le transport de l'appareil sera la responsabilité du client. Le reçu de vente original doit être conservé par le client car cela constitue la seule preuve d'achat acceptée. Le client doit le présenter au Centre de service agréé au moment où il fait la demande d'une réparation sous garantie.

## EXCLUSIONS (CE QUI N'EST PAS COUVERT)

Cette garantie ne couvre pas les dommages causés par un accident, un incendie, une inondation, un cas de force majeure, un mauvais usage ou une tension incorrecte. La garantie ne couvre pas une mauvaise installation, une mauvaise réparation, une réparation non autorisée et tout usage commercial ou dommages survenus durant le transport. Le fini extérieur et intérieur de même que les lampes ne sont pas couverts par cette garantie. Les ajustements par le client qui sont expliqués dans le guide de l'utilisateur ne sont pas couverts en vertu de cette garantie. Cette garantie sera automatiquement annulée pour tout appareil qui aurait un numéro de série manquant ou modifié. Cette garantie est valable seulement sur les appareils achetés et utilisés au Canada.

**Samsung Electronics Canada Inc**  
**2050 Derry Rd West**  
**Mississauga, On. L5N 0B9**  
**Tel: 1-800-SAMSUNG (726-7864)**  
**Fax: (905) 542- 1199**  
**Website: [http://www.samsung.com/ca\\_fr](http://www.samsung.com/ca_fr)**

# SAMSUNG

© 2020 Samsung Electronics Co., Ltd. Tous droits réservés.

## Comment contacter Samsung dans le monde

Si vous avez des suggestions ou des questions concernant les produits Samsung, veuillez contacter le Service Consommateurs Samsung.

### SIÈGE SOCIAL

Samsung Electronics Canada Inc. 2050 Derry Road West, Mississauga, Ontario L5N 0B9 Canada

TEL: 1-800-SAMSUNG (1-800-726-7864)

[www.samsung.com/ca\\_fr/support](http://www.samsung.com/ca_fr/support)

Area	Contact Center ☎	Web Site
■ North America		
CANADA	1-800-SAMSUNG (726-7864)	<a href="http://www.samsung.com/ca/support">www.samsung.com/ca/support</a> (English) <a href="http://www.samsung.com/ca_fr/support">www.samsung.com/ca_fr/support</a> (French)
U.S.A	1-800-SAMSUNG (726-7864)	<a href="http://www.samsung.com/us/support">www.samsung.com/us/support</a>