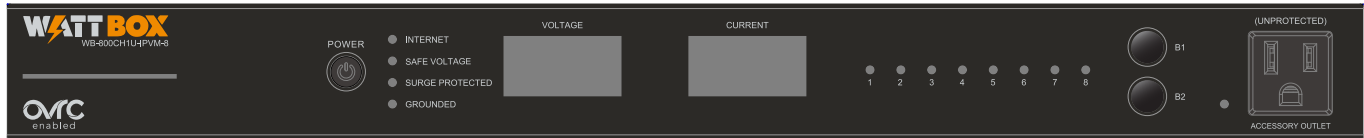


WATT BOX™

WB-800CH1U-IPVM-8



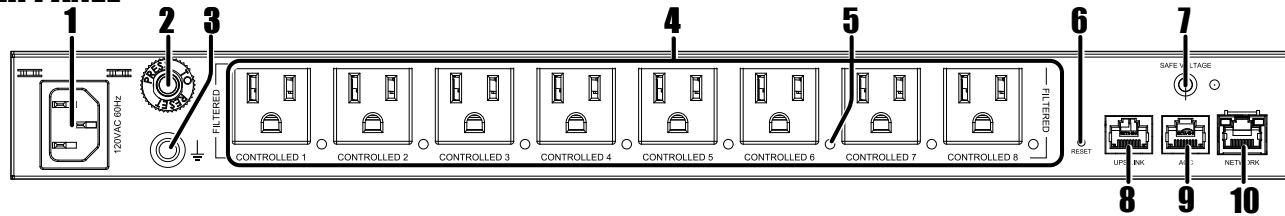
QUICK START GUIDE

PACKAGE CONTENTS

- (1) WB-800CH1U-IPVM-8
- (4) Screw-in feet and screws
- (1) 2-meter (6-foot) power cord
- (1) Locking clip (to secure IEC power cord)
- (2) Rack mounting brackets
- (8) Mounting bracket screws
- (1) Quick Start Guide

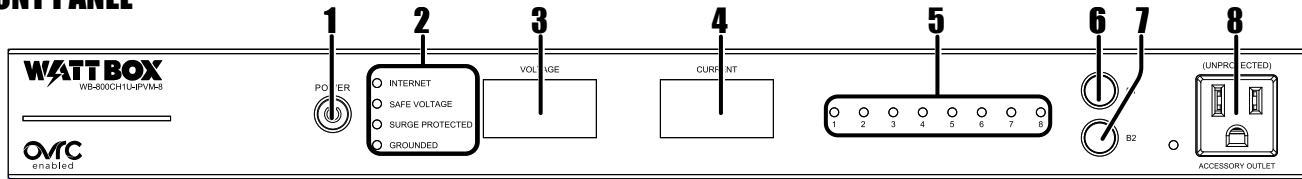
FEATURES

- Circuit breaker rating: 15A
- UL current rating: 12A
- UL power rating: 1440W
- Voltage protection rating: L-N 700V, L-G 600V, N-G 700V
- Joule rating: 3,240 joules
- Load shedding (when connected to WattBox OvrC-enabled UPS)

REAR PANEL

1. Power input – Input for 3-prong IEC power cord, with detachable locking clip.
2. Circuit breaker – 15A resettable breaker that trips when over amperage conditions occur. Press to reset.
3. Bonding Point – Post for bonding equipment.
4. Controllable outlets 1-8 – All outlets are individually switchable (IP controlled) and filtered against EMI/RF.
5. Power indicators for outlets 1-8 – Illuminates when power is on (x8 – 1 for each outlet).
6. Reset button – Press and release to restart the network card, press and hold five seconds to reset network settings, and press and hold 10 seconds to restore to factory defaults.
7. Safe Voltage button – Toggles the “Safe Voltage” feature on and off. When enabled, Safe Voltage turns off outlets to protect connected equipment from out-of-range input voltage.
8. UPS Link – For connection to a WattBox OvrC-enabled UPS.
9. ACC port – Accessory port for future use.
10. Network port – Connect to the local area network (LAN) for IP control and monitoring.

FRONT PANEL



1. AC Power button – Press to manually toggle the outlets on or off. Outlets configured as Disabled or Reset Only are not affected.
2. LED indicators – See the status of the internet, Safe Voltage, surge protection, and whether the unit is properly grounded. Refer to “LED Operation” on page 6.
3. Input Voltage display – Displays the input voltage being supplied from the outlet.
4. Output Current display – Displays current draw in amps (A). This figure can be an aggregate of the combined outlets or a single outlet.
5. Outlet power indicator – Illuminates when the corresponding controlled outlet number is powered.
6. Button 1 – Sequences through outlets 1 through 8 (left to right) displaying the Current for the specified outlet. Aggregate of all outlets display when clicking past outlet 8. This button is also used to reset individual outlets. See “How To Manually Reset Individual Outlets From The Faceplate” on page 5.
7. Button 2 – Sequences through outlets 8 through 1 (right to left) displaying the Current for the specified outlet. Aggregate of all outlets display when clicking past outlet 8. This button is also used to reset individual outlets. See “How To Manually Reset Individual Outlets From The Faceplate” on page 5.
8. Accessory Outlet (Unprotected) – Always-on, front-facing outlet for service use. Not IP controllable. A solid blue LED indicates the outlet has power and is working.

HOW TO SEQUENCE THROUGH INDIVIDUAL OUTLETS

- Tap B1 to sequence through outlets 1-8 (moving left to right).
- Tap B2 to sequence through outlets 8-1 (moving right to left).

As you sequence through the outlets, the corresponding outlet LED flashes to indicate which outlet number you are on. The displays show the corresponding Current for the outlet specified.

Note: The LED light flashes on the specified outlet for 5 minutes, during this time the display windows show the Current for the selected outlet. Once the 5 minutes has expired, the WattBox defaults back to displaying the aggregate total of the entire unit, and all LEDs default back to being illuminated.

HOW TO MANUALLY RESET INDIVIDUAL OUTLETS FROM THE FACEPLATE

1. Tap B1 or B2 to sequence through the outlets.
2. With the outlet number that needs to be reset flashing, press and hold B1 or B2 for 3 seconds. The **Current** display shows a rotating **0** as the outlet resets.

HOW TO MANUALLY RESET ALL OUTLETS FROM THE FACEPLATE

To reset all of the outlets, press and hold B1 and B2 at the same time for 3 seconds. The **Current** display shows a rotating **0** as the outlets reset.

Note: The reset follows the Power-On delay set in OvrC.
Outlets designated as **Disabled in OvrC** do not reset.

LED OPERATION

Note: LEDs on the front and back of the WattBox function identically.

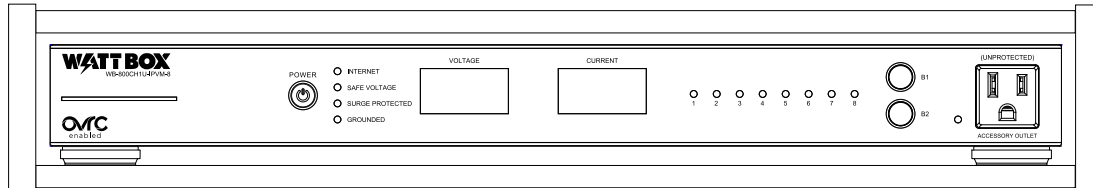
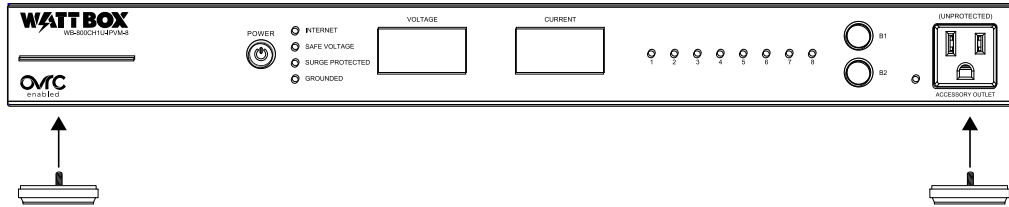
Internet	Blue (Solid)	All host sites/IP addresses are communicating with the WattBox.
	Blue (Flashing)	Host ping partial fail. At least one host site/IP address ping is communicating with the WattBox.
	Red (Solid)	None of the host sites/IP addresses are communicating with the WattBox.
Safe Voltage	Blue (Solid)	Safe Voltage is enabled and current incoming AC voltage is safe for operation. All outlets are receiving power.
	Blue (Slow Blink)	Safe Voltage is enabled, but the incoming voltage is not safe.
	Off	Safe Voltage is disabled.
Surge Protected	Blue (Solid)	The WattBox is powered on and outlets are protected.
	Off	The WattBox is not powered on, or the MOVs have opened, removing power from the outlets.
Grounded	Blue (Solid)	Incoming AC outlet is grounded.
	Off	Incoming AC outlet is not grounded and requires inspection by an electrician.

POSITIONING OPTIONS

The WB-800CH1U-IPVM-8 can be placed in a cabinet or mounted to the rack.

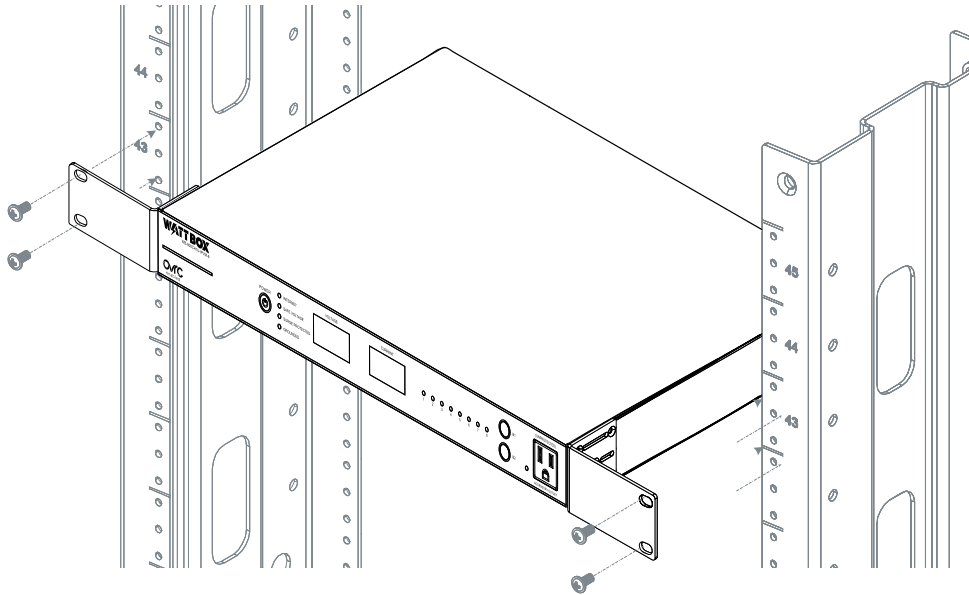
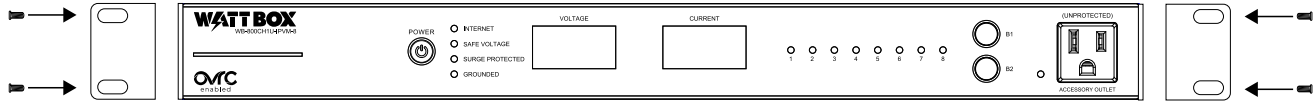
Cabinet Placement

Attach supplied feet to the bottom of the WattBox for cabinet placement.

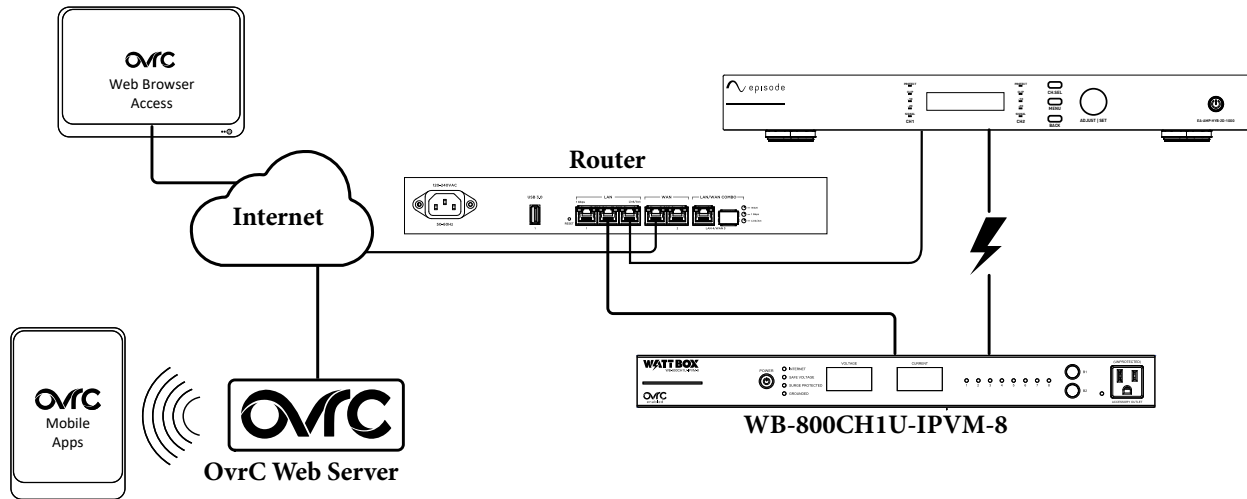


Rack Mounting

Attach mounting brackets to the WattBox using the supplied hardware, then install the WattBox into the rack using standard rack screws (not included).



CONNECTIONS AND SETUP



1. If attaching a WattBox UPS battery pack to the power conditioner, connect an Ethernet cable between the **UPS Link** ports on the power conditioner and the UPS.
2. For IP control and OvrC connectivity, connect a network cable from your router or switch into the **WB-800 Network** port.
3. Connect the IEC power cord to the power conditioner and to the WattBox UPS (if applicable) or a grounded outlet.

CLAIMING THE WATTBOX ON OVR

The WB-800 has many powerful features that are accessed through OvrC, our award-winning remote management tool.

If you are not familiar with OvrC, visit OvrC.com. To find training for OvrC, log in to SnapAV.com, click on the **Training** tab, and then launch Snap University.

Finishing Setup with OvrC

1. Ensure the WB-800 is connected to the internet via your router or network switch.
2. Log in to your OvrC account.
3. Add the WB-800 by entering its MAC address and service tag (ST) number.

You can now complete setup through OvrC. Ensure your firmware is up to date, schedule automatic reboots, set up power-on delays, etc.

IMPORTANT SAFETY INSTRUCTIONS

Read and observe the following safety points at all times.

NOTICE

For indoor use only. Internal components are not sealed from the environment. The device can only be used in a fixed location such as a telecommunication centre, or a dedicated computer room. When you install the device, ensure that the protective earthing connection of the socket-outlet is verified by a skilled person. Suitable for installation in Information Technology Rooms in accordance with Article 645 of the National Electrical Code and NFPA 75.

Only use brackets/attachments/accessories specified by the manufacturer.

Do not place the device in an unstable position where it might fall and cause injuries. This equipment is not suitable for use in locations where children are likely to be present.

Do not cover this device with a cloth. Do not install it on a carpet or rug.

CAUTION – Potential Injury

Do not use this product with extension cords, multioutlet power strips, multioutlet extenders, or UPS devices (other than a WattBox UPS). The power capacity of these accessories can be overloaded by this product and may result in a risk of fire, or property damage.

WARNING – Lithium Battery

A lithium battery is molded into this device's real-time clock. The lithium battery is not intended to be replaced; a lithium battery can explode if it is incorrectly replaced. Do not recharge, disassemble, or incinerate a lithium battery. Discard used lithium batteries according to local regulations.

WARNING – Power Sources, Grounding, Polarization

This plug is designed to be inserted into a NEMA 5-15 (three-prong grounded) outlet only. Do not force the plug into an outlet that is not designed to accept it. Never dismantle the plug or to alter the power cord, and do not attempt to defeat the grounding feature by using a 3-to-2 prong adapter. If you have questions about grounding, consult your local power company or a qualified electrician.

This WattBox requires a properly grounded outlet for safety. If you're not sure if your home's electrical wiring is properly grounded, have it checked by a qualified electrician.

If a rooftop devices such as a satellite dish connects to the WattBox, ensure that the device's wires are also properly grounded.

The Bonding Point can be used to provide a common ground to other equipment. This bonding point can accommodate minimum 12 AWG wire and should be connected using the required hardware specified by the other bonding point. Please use termination for your equipment in accordance with applicable local agency requirements.

WARNING – Liquid: Avoiding Electrical Shocks

Do not operate the WattBox if liquid of any kind is spilled onto or inside the unit. Do not operate it near rain or water, even water that is contained (e.g., bathtub or sink).

WARNING – Power Cord Safety



Do not place the power cord near areas with heavy foot traffic (e.g., hallways). Do not create a trip hazard with the power cord.

If the power cord's protective jacket rips or frays, exposing the internal wiring or shielding, disconnect it from the power source and replace the power cord immediately. See the warranty section of the owner's manual for details.

WARNING – No User Serviceable Parts Inside

If the WattBox is not operating properly, do not remove any part of the unit (cover, etc.) for repair. Unplug the unit and consult the warranty section of the owner's manual.

CAUTION – Exposure to Heat

Do not expose the WattBox to direct sunlight or place it near wall heaters, space heaters, or in an enclosed space prone to temperature increase.

Do not use the device in a confined, poorly-ventilated location; this can overheat the unit, possibly even causing a fire. If used in a small space other than an EIA-standard rack, ensure that there is adequate space around the device.

CAUTION – Proper Cleaning

In general, the only cleaning necessary for is a light dusting. Unplug WattBox from the wall outlet before cleaning it. Do not use liquid or aerosol cleaners.

FCC WARNING

WARNING!! Changes or modifications to this unit not expressly approved by the party responsible for compliance could void the user's authority to operate the equipment.

This equipment has been tested and found to comply with the limits for a Class B Digital Device, pursuant to Part 15 of the FCC Rules. These limits are designed to provide reasonable protection against harmful interference in residential installation. This equipment generates, uses and can radiate radio frequency energy and, if not installed and used in accordance with the instruction manual, may cause harmful interference to radio communications. However, there is no guarantee that interference will not occur in a particular installation. If this equipment does cause harmful interference to radio or television reception, which can be determined by turning the equipment off and on, the user is encouraged to try to correct the interference by one or more of the following measures:

- Reorient or relocate the receiving antenna.
- Increase the separation between the equipment and receiver.
- Connect the equipment into an outlet on a circuit different from that to which the receiver is connected.
- Consult the dealer or an experienced radio/TV technician for help.

Notice: (1) An unshielded-type power cord is required in order to meet FCC emission limits and also to prevent interference to the nearby radio and television reception. It is essential that only the supplied power cord be used. (2) Use only shielded cables to connect I/O devices to this equipment.

Note: THE MANUFACTURER IS NOT RESPONSIBLE FOR ANY RADIO OR TV INTERFERENCE CAUSED BY UNAUTHORIZED MODIFICATIONS TO THIS EQUIPMENT. SUCH MODIFICATIONS COULD VOID THE USER'S AUTHORITY TO OPERATE THE EQUIPMENT.

The Class B digital apparatus meets all requirements of the Canadian Interference-Causing Equipment Regulation.



Cet appareil numérique de la class B respecte toutes les exigences du Règlement sur le matériel brouilleur du Canada.

WARNING

This product can expose you to chemicals including carbon black, which is known to the State of California to cause cancer. For more information go to www.P65Warnings.ca.gov.



To reduce the risk of electric shock, use only indoors and in dry locations.



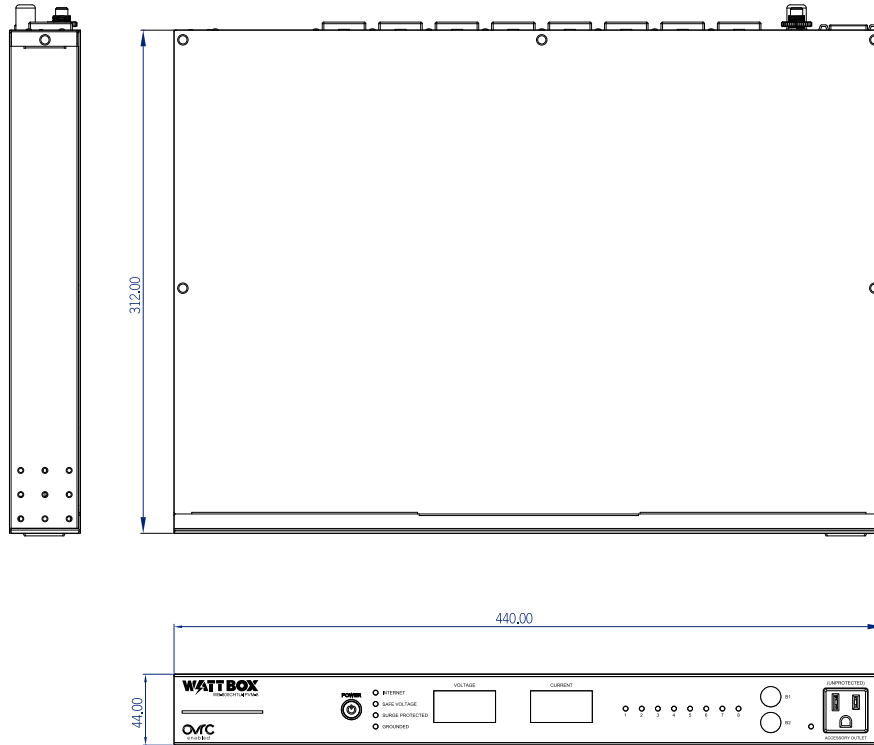
TROUBLESHOOTING

Symptom	Possible Cause	Remedy
WattBox is not receiving power (No LEDs are illuminated).	WattBox is not turned on.	If the WattBox power button does not show blue, press it.
	No power is being supplied.	Make sure the AC power plug is plugged into a properly grounded 120V (nominal) wall outlet. Some outlets are controlled by a wall switch. Try flipping the switches in the room, especially those near the wall outlet. Also check the location's circuit breakers.
	Too many devices are connected, causing an overload, tripping the WattBox's internal circuit breaker.	Press the circuit breaker reset button. Allow 10 minutes before attempting to reset; otherwise, the reset will fail. If the circuit breaker continues to trip, move one or more components to another WattBox.
A single outlet is off.	A schedule has turned the outlet off.	If the outlet is scheduled to turn off, but should be on, delete the schedule.
The attached component is not receiving power from the WattBox.	Component is plugged into a controlled outlet and the outlet is off.	Log in to the WattBox interface to turn the outlet on. Factory default the WattBox.
	In some instances, a component plugged into a switched outlet won't automatically power itself up when the WattBox is turned on.	Manually turn on the component.
Speakers emit a humming or buzzing noise.	WattBox is sharing AC power with equipment that is not properly grounded.	Connect the WattBox to a dedicated outlet. Unplug different components from the WattBox one at a time to see if the noise stops.

SPECIFICATIONS

Outlets	
Type	NEMA 5-15
Number of Outlets	8 Rear, 1 Front
IP Controlled	All rear outlets (8)
AC Power	
Line Voltage	120V AC, 60 Hz
AC Input Connection	IEC C-14
Power Cord Length	6 Feet
Circuit Breaker Rating	15A
UL Power Rating	1440W
UL Current Rating	12A
Voltage Protection Rating	L-N: 700V / L-G: 600V / N-G: 700V
Joule Rating	3240 Joules
Surge Component	Metal Oxide Varistor (MOV)
Protection Modes	L-N, L-G, N-G
Peak Impulse Current	135,000A
Disconnect Circuitry	Yes
Thermal Fuse	Yes
EMI / RFI Noise Filtration	
Outlet Filter	53 dB, 1 kHz to 1 MHz
Safe Voltage Disconnect	
Over Voltage	136V AC +/- 2V AC
Under Voltage	90V AC +/- 2V AC
Operating Temperature Range	-10 to +40 °C (14 to 104 °F)
UL Certifications	UL 62368-1, UL 1449, UL 1283

DIMENSIONS



WARRANTY

Limited Warranty

Find details of this product's Limited Warranty at snapav.com/warranty, or request a paper copy from Customer Service at (866) 424-4489. Find other legal resources, such as regulatory notices and patent information, at snapav.com/legal.

LOGGING IN TO THE WEB INTERFACE

You need to enter the username and password to access the web interface. The default entries are below; be sure to change these to maintain proper security (and log them below).

	Default	Custom
Username	<i>wattbox</i>	
Password	<i>wattbox</i>	



Copyright ©2021, Wirepath Home Systems, LLC. All rights reserved. Control4 and Snap AV and their respective logos are registered trademarks or trademarks of Wirepath Home Systems, LLC, dba "Control4" and/or dba "SnapAV" in the United States and/or other countries. 4Store, 4Sight, Control4 My Home, Snap AV, Araknis, Autonomic, BakPak, Binary, Dragonfly, Episode, Luma, Mockupancy, Nearus, NEEO, OvrC, Pakedge, Sense, Strong, SunbriteTV, Triad, Visualint, WattBox, and Wirepath are also registered trademarks or trademarks of Wirepath Home Systems, LLC. Other names and brands may be claimed as the property of their respective owners. All specifications subject to change without notice.